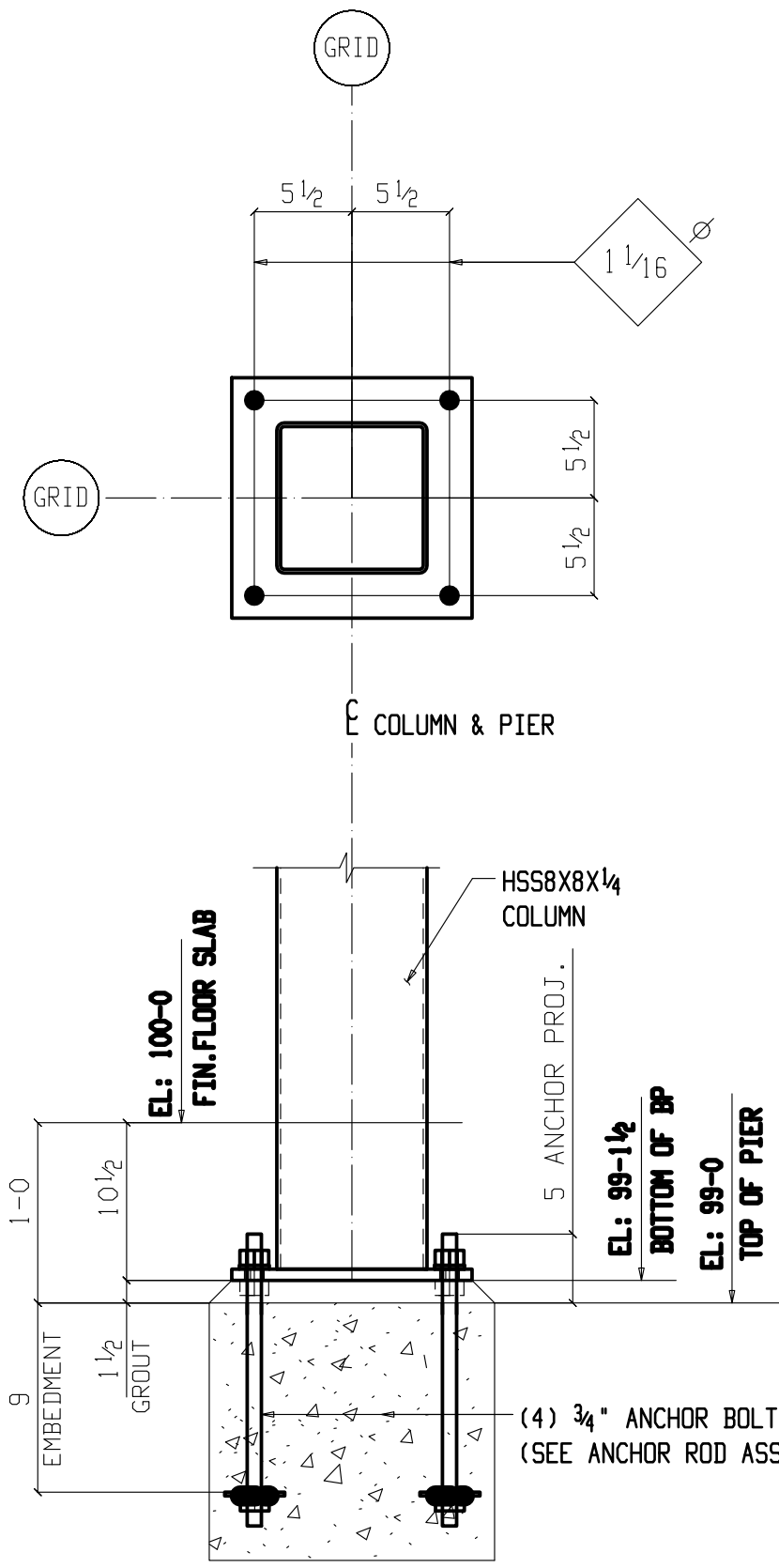
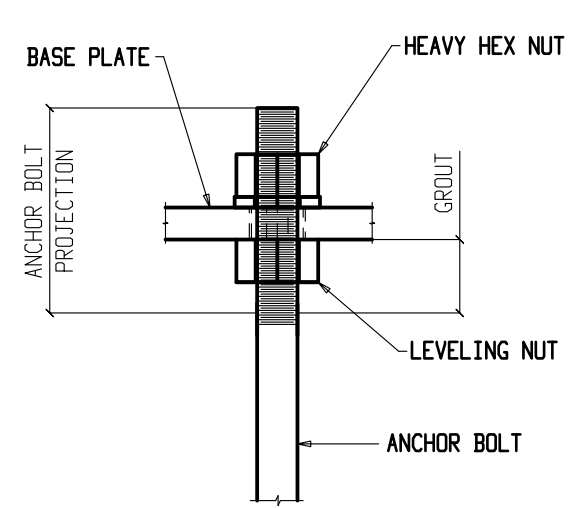


1 SECTION @ ANCHOR BOLTS
 AB202 35 LOCATIONS @ BUILDING #B REF: 2/53.00 & 2/55.00

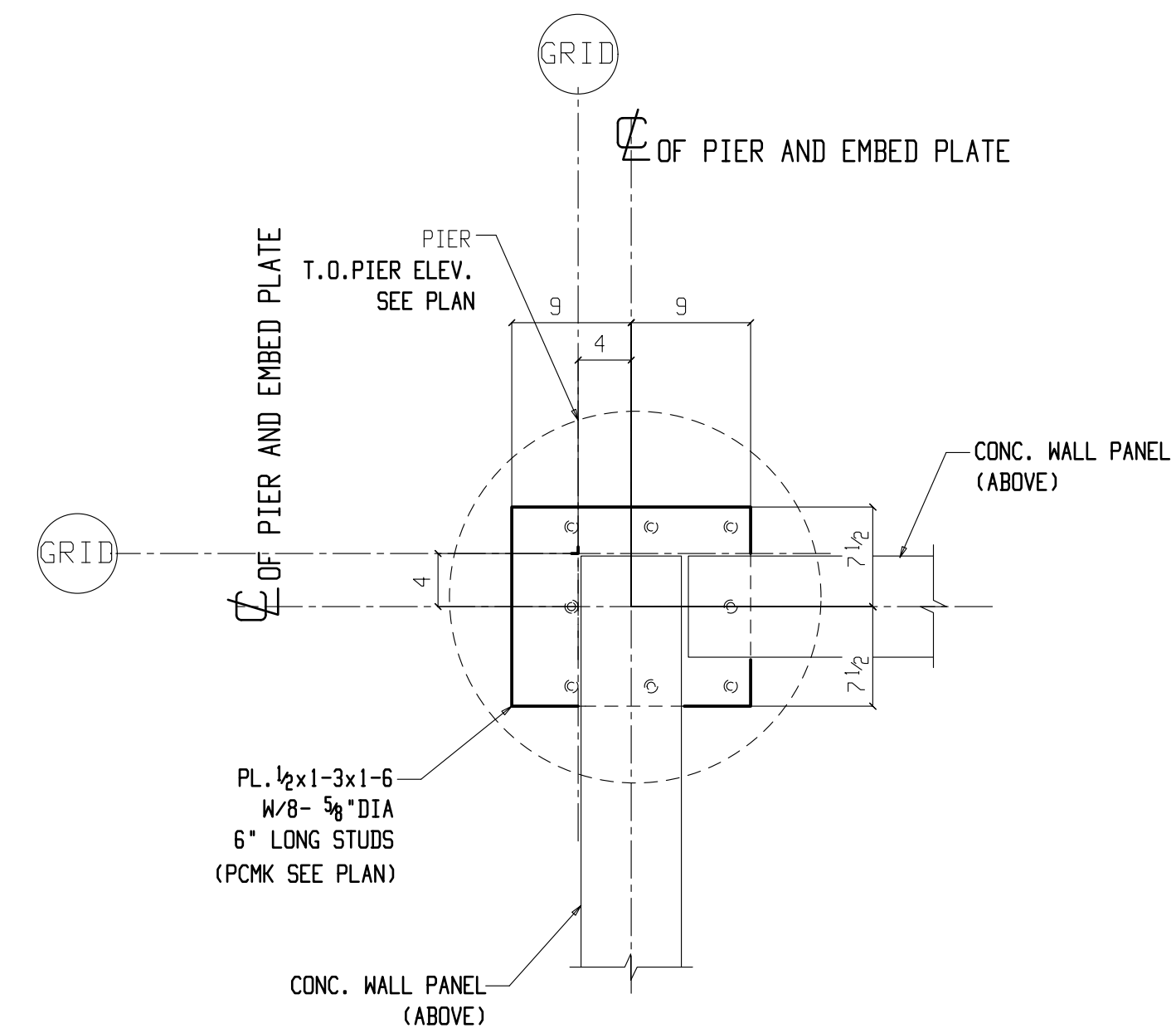


2 SECTION @ ANCHOR BOLTS
 AB202 6 LOCATIONS @ BUILDING #B REF: 2/53.00 & 2/55.00

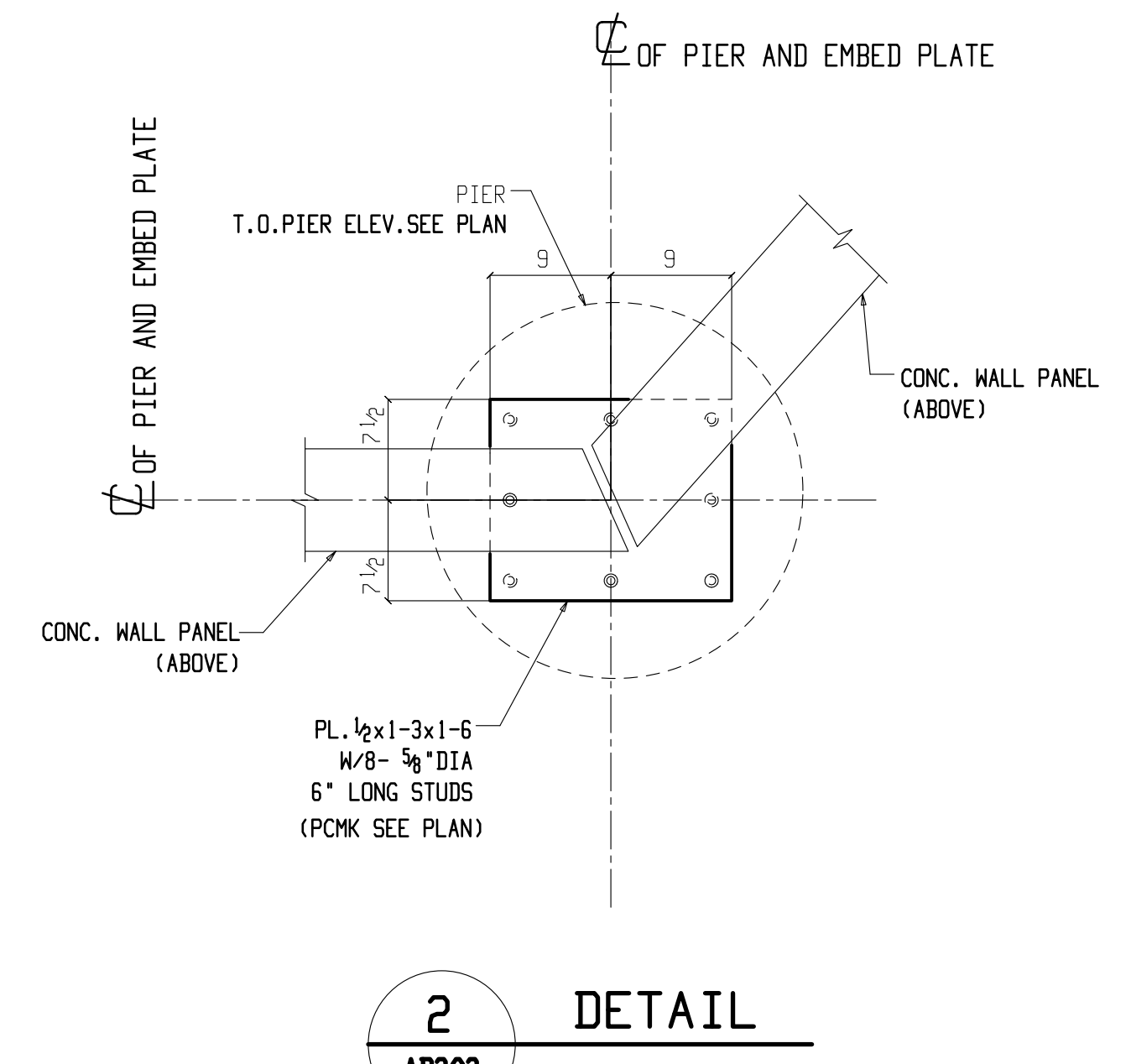


ANCHOR ROD ASSEMBLY DETAIL

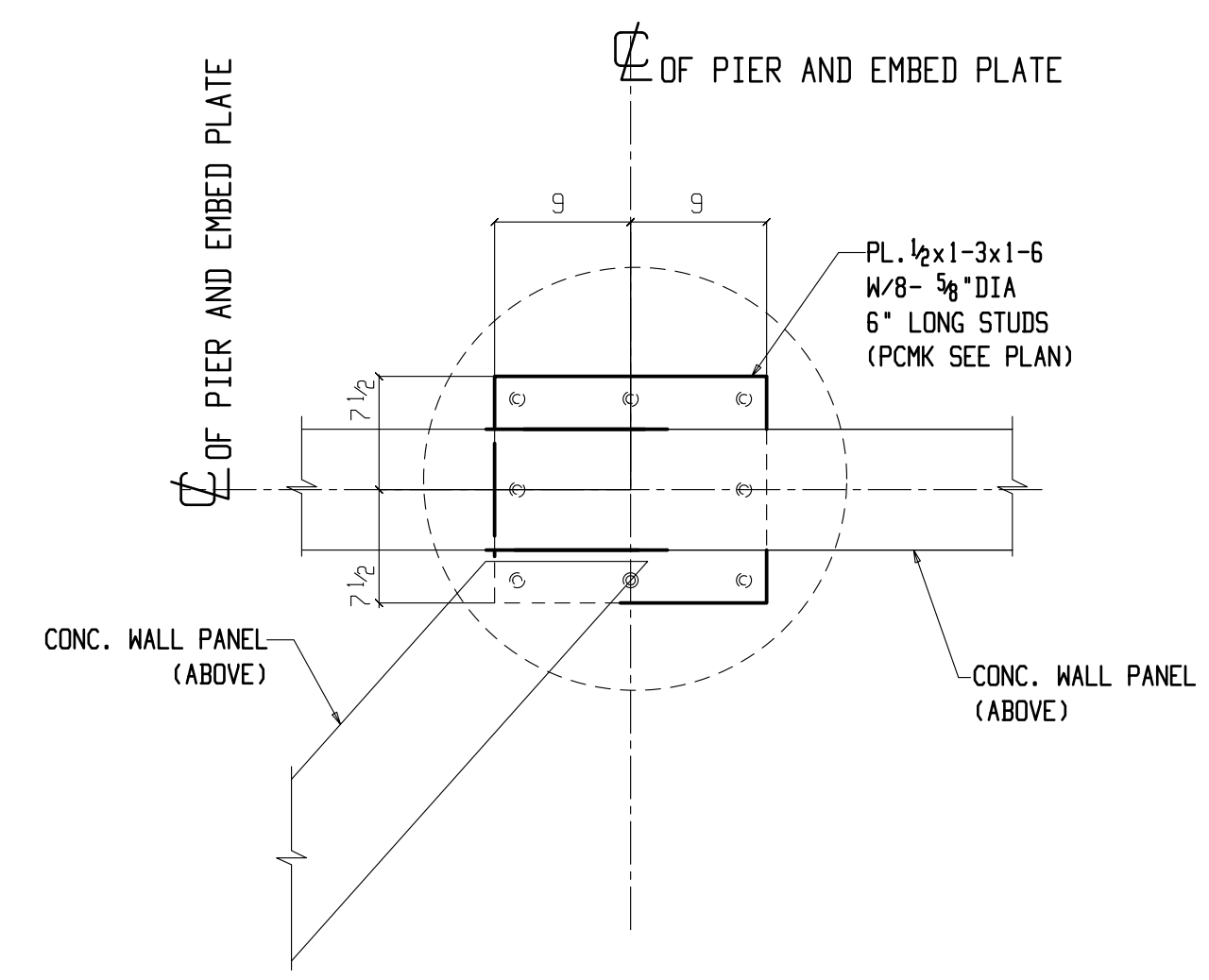
FIELD NOTE:
 IF GROUTING IS DELAYED UNTIL AFTER STEEL ERECTION THE BASE PLATE MUST BE SHIMMED TO PROPERLY DISTRIBUTE LOADS TO THE FOUNDATION WITHOUT OVERSTRESSING EITHER THE BASE PLATE OR THE CONCRETE.



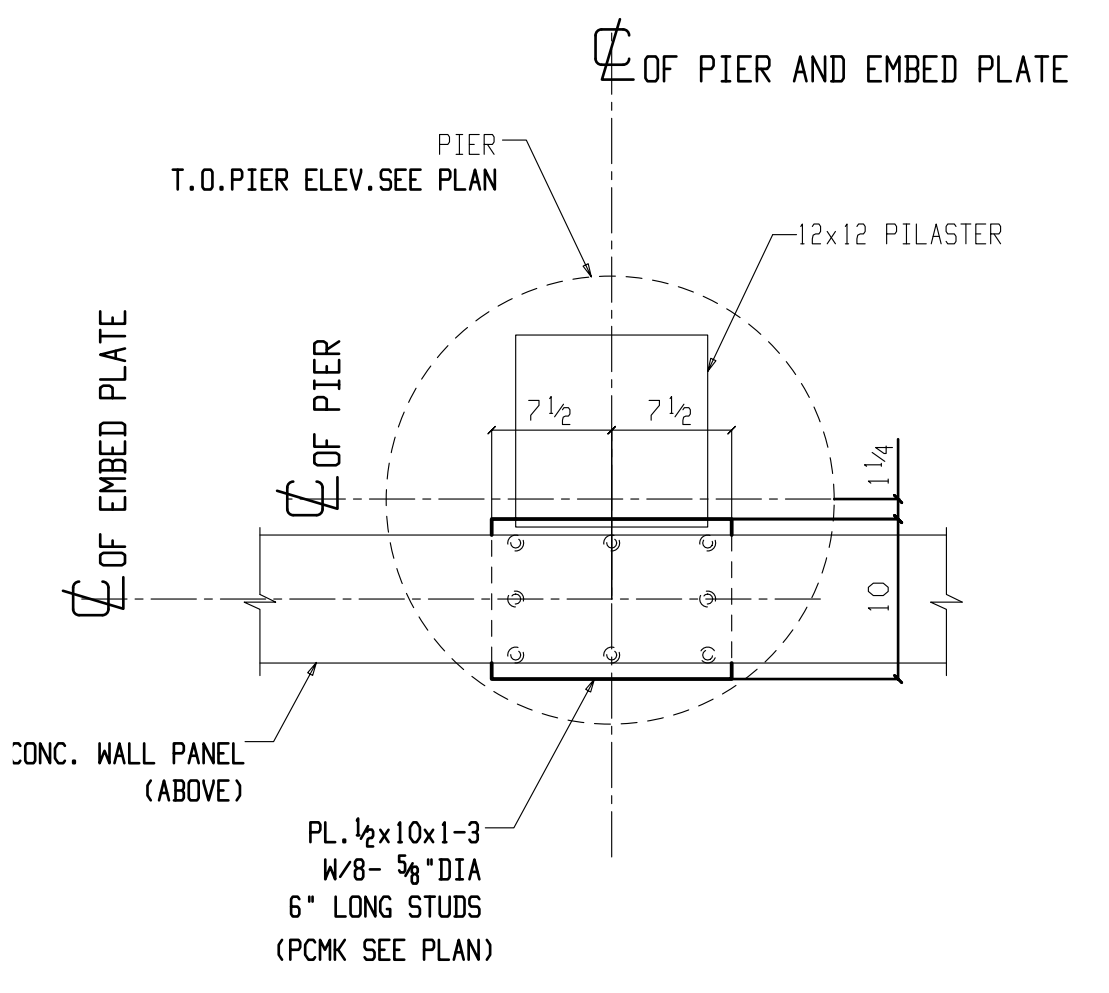
1 DETAIL
 AB202



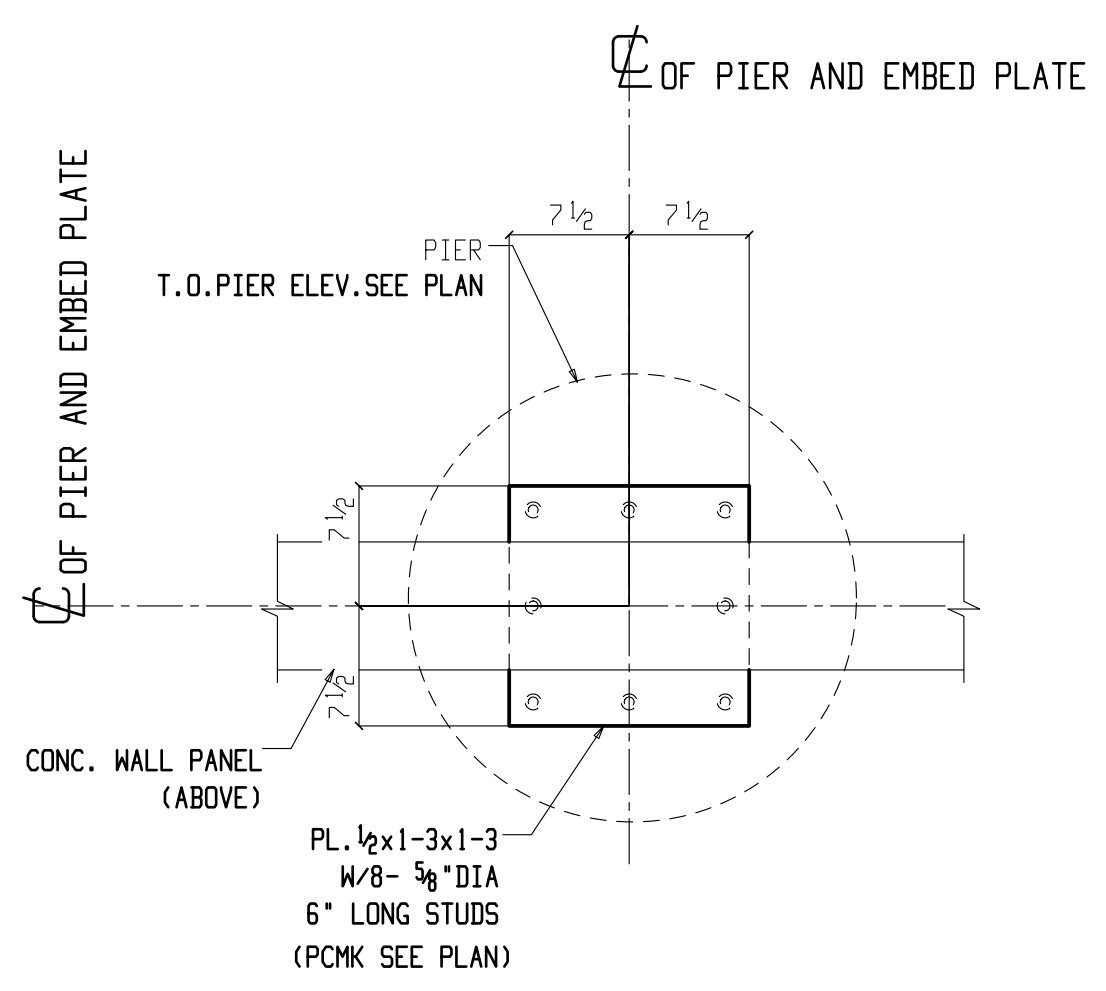
2 DETAIL
 AB202



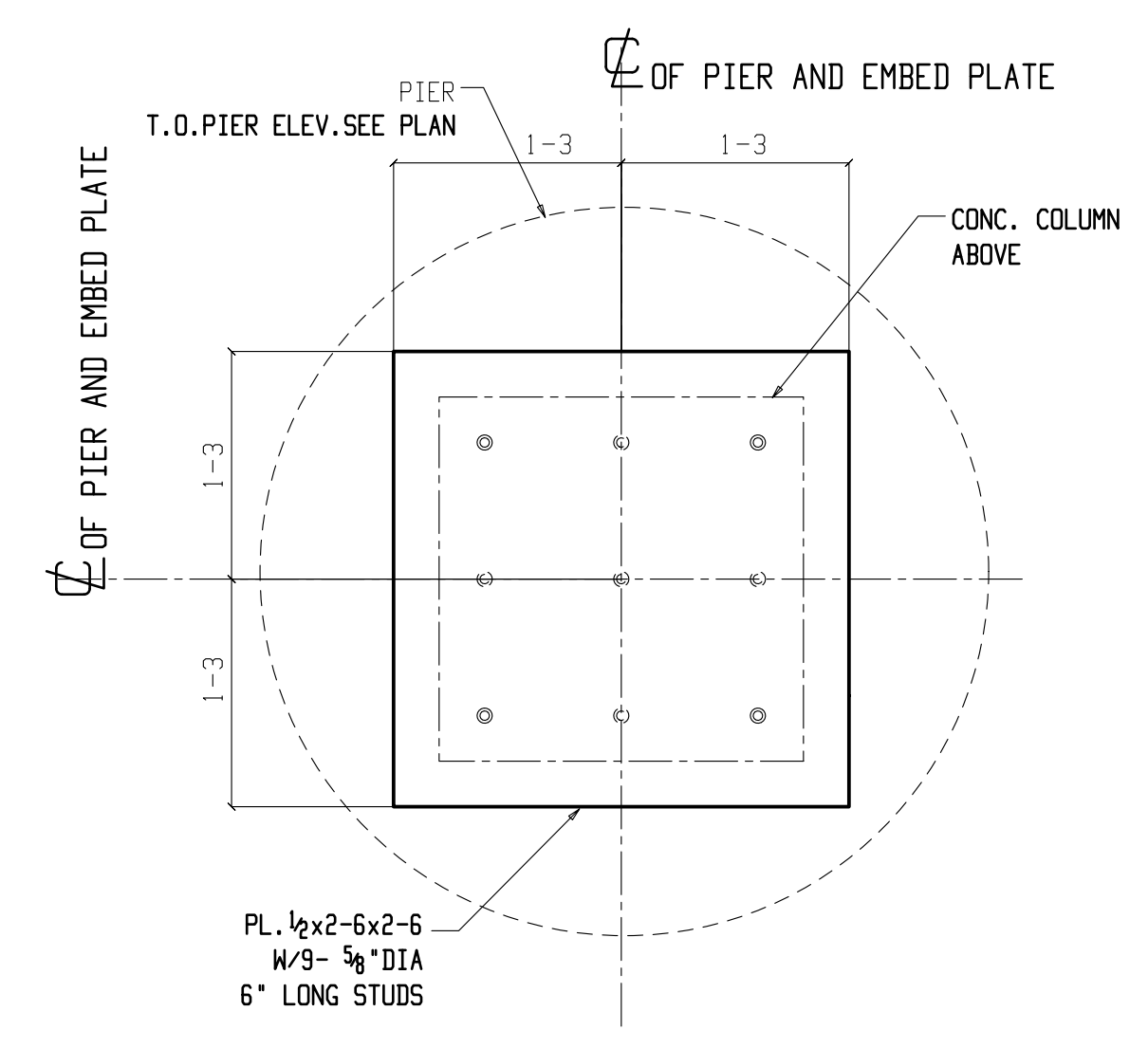
3 DETAIL
 AB202



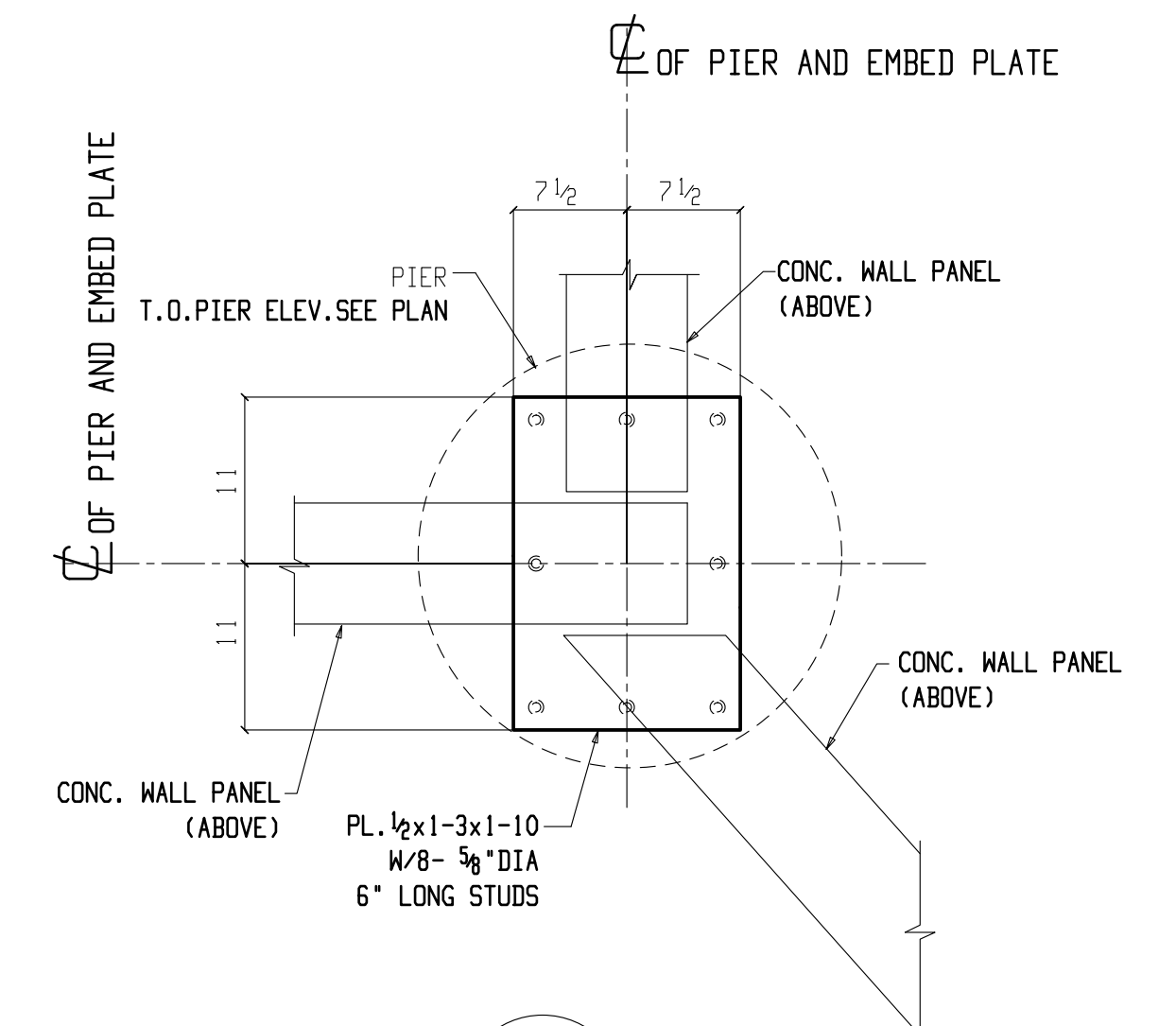
4 DETAIL
 AB202



5 DETAIL
 AB202



6 DETAIL
 AB202



7 DETAIL
 AB202