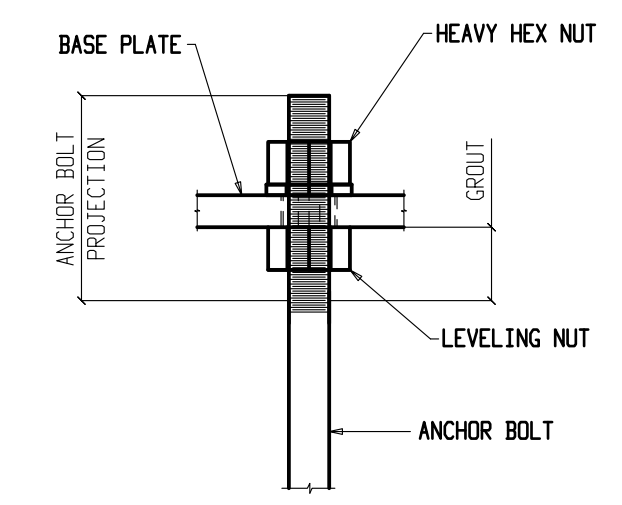
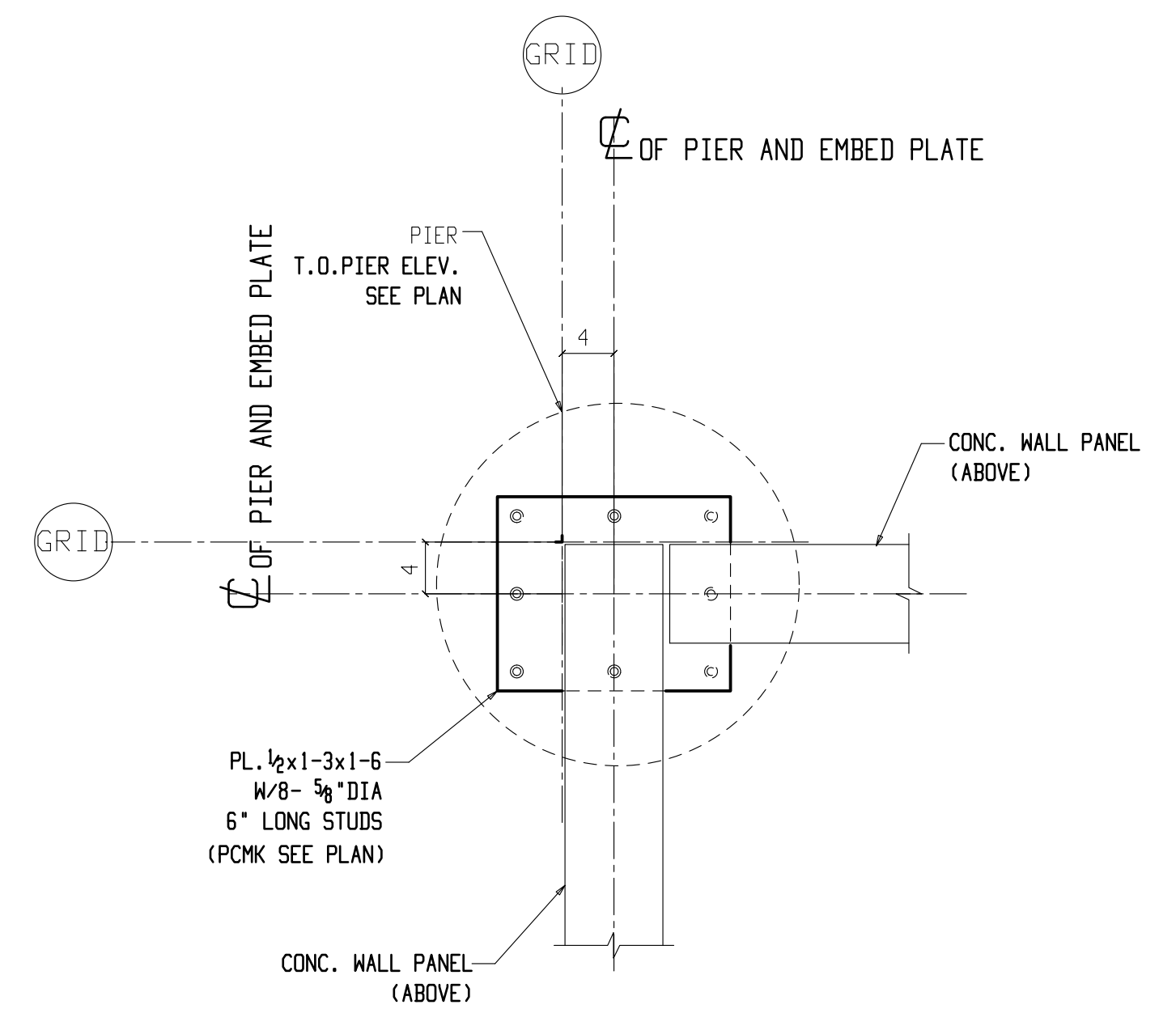


1 SECTION @ ANCHOR BOLTS
 AB101 30 LOCATIONS @ BUILDING #A REF: 2/53.00 & 2/56.00

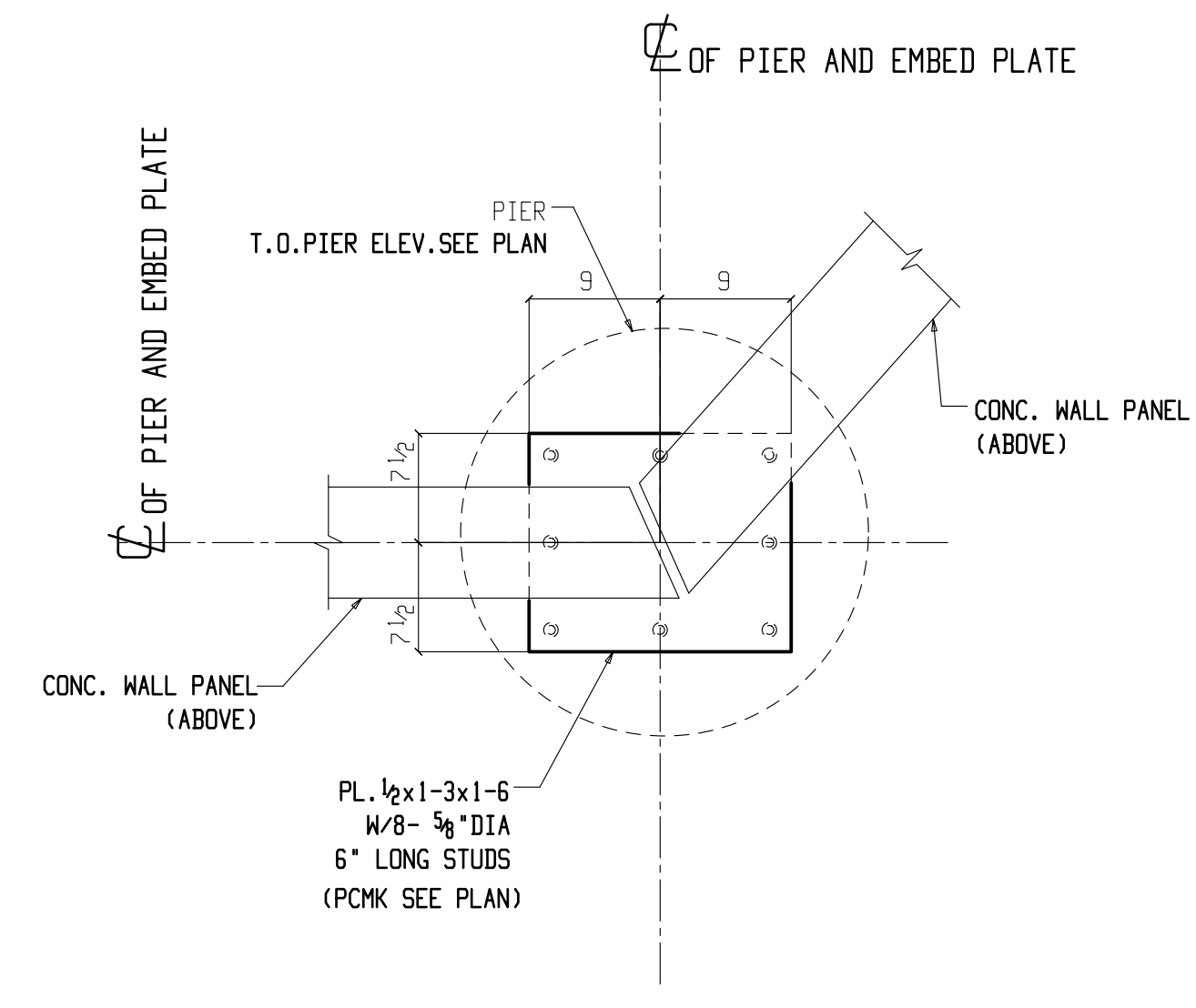


ANCHOR ROD ASSEMBLY DETAIL

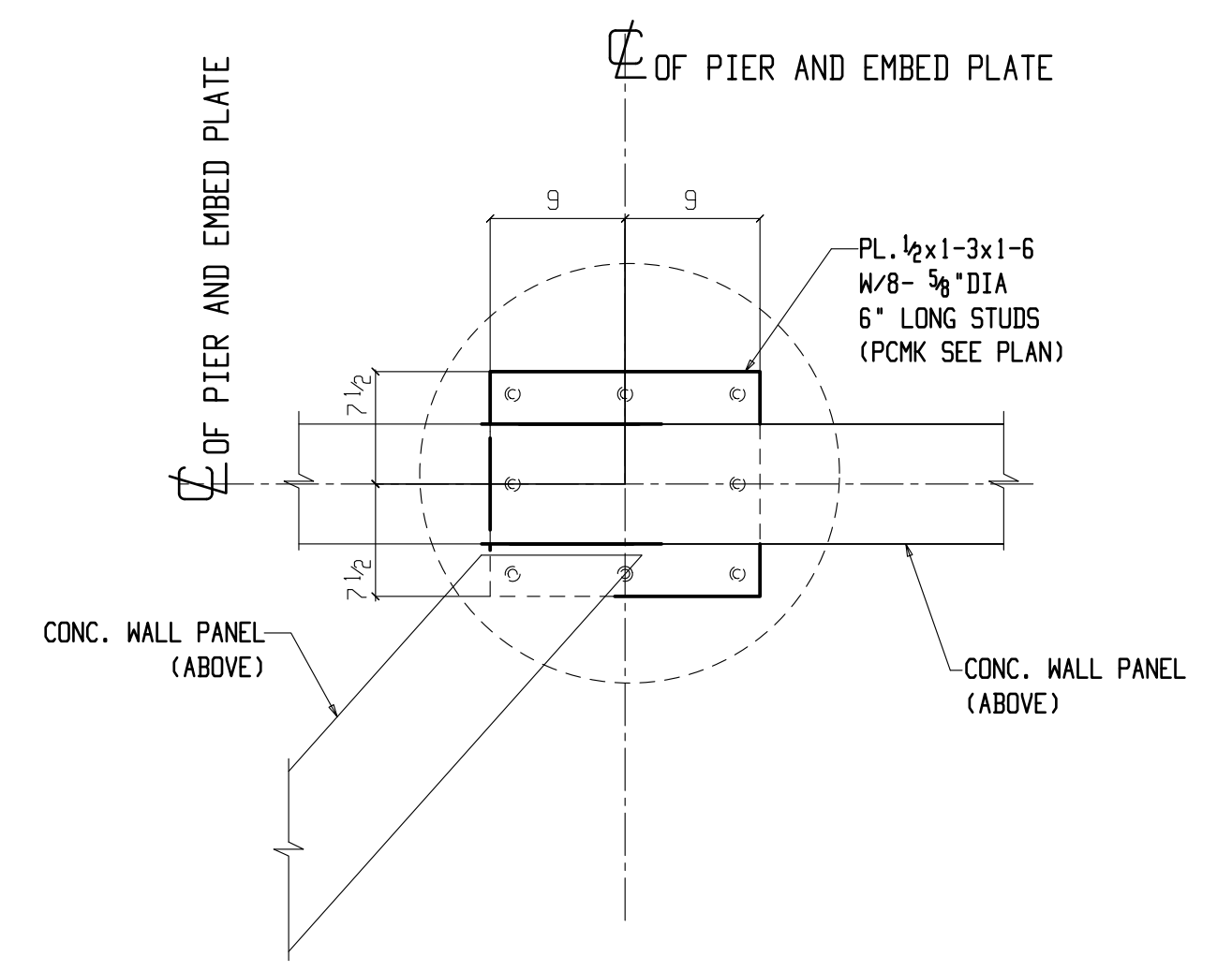
FIELD NOTE:
 IF GROUTING IS DELAYED UNTIL AFTER STEEL ERECTION THE BASE PLATE MUST BE SHIMMED TO PROPERLY DISTRIBUTE LOADS TO THE FOUNDATION WITHOUT OVERSTRESSING EITHER THE BASE PLATE OR THE CONCRETE.



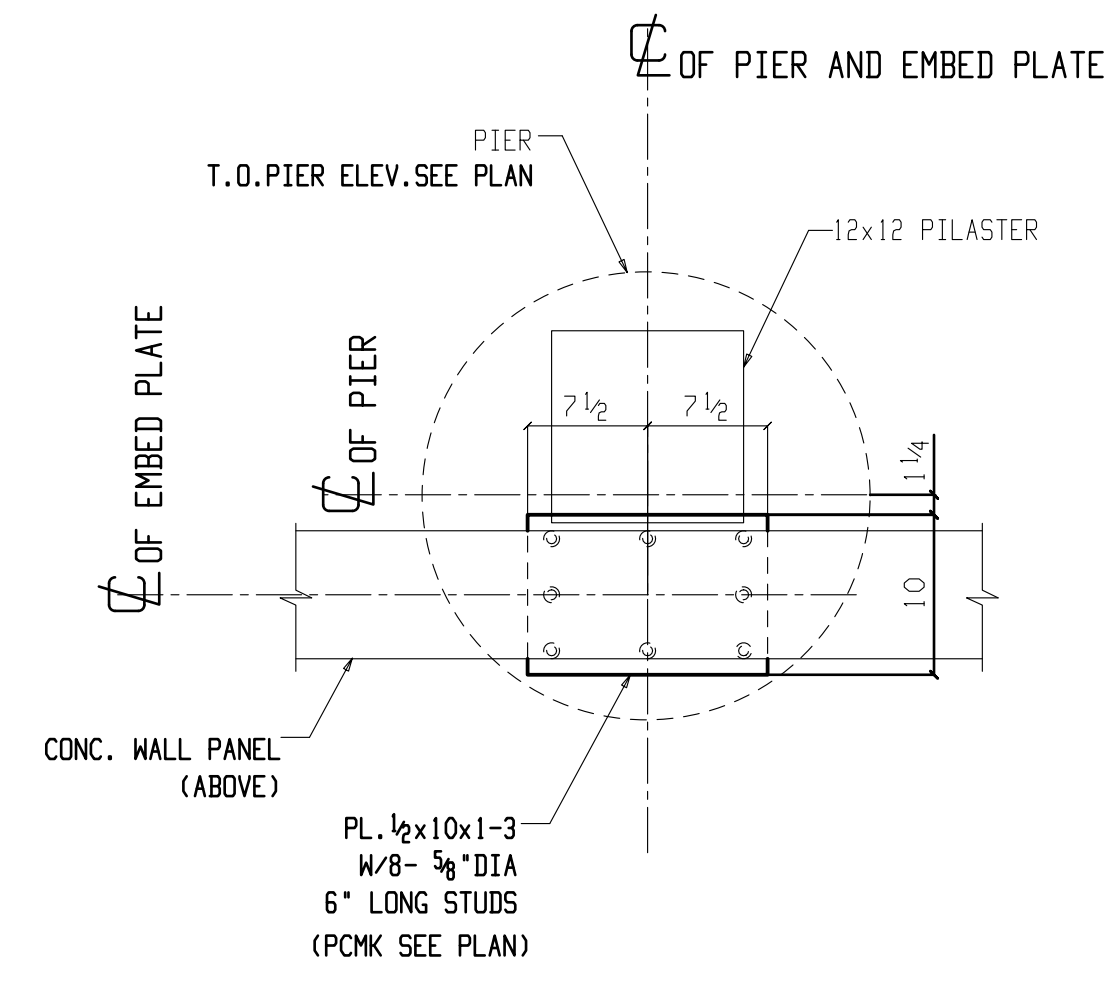
1 DETAIL
 AB101



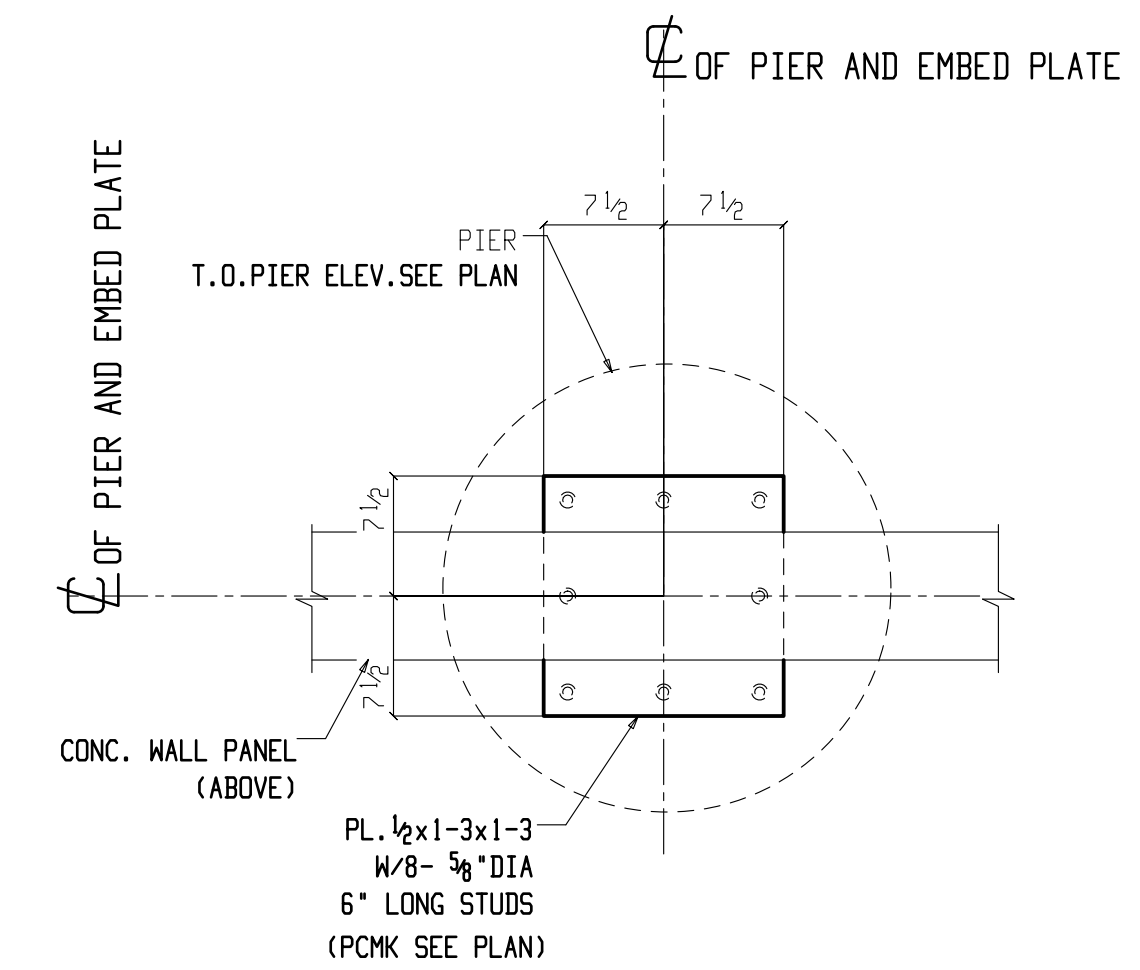
2 DETAIL
 AB101



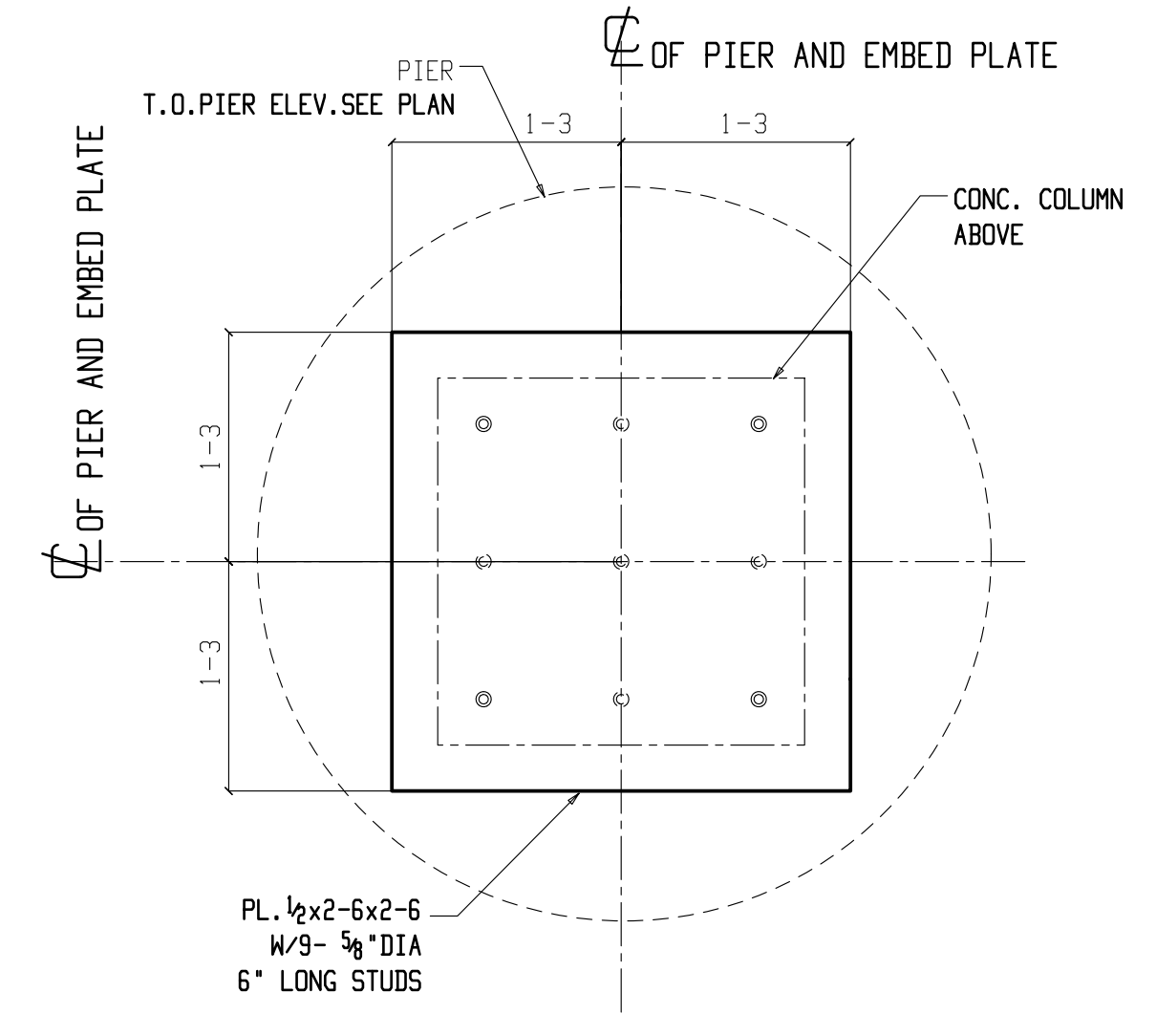
3 DETAIL
 AB101



4 DETAIL
 AB101



5 DETAIL
 AB101



6 DETAIL
 AB101