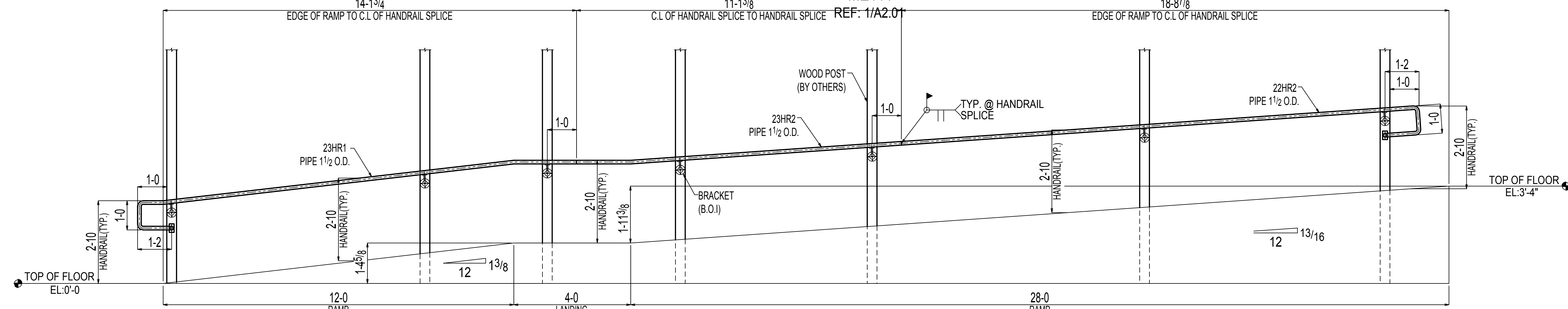
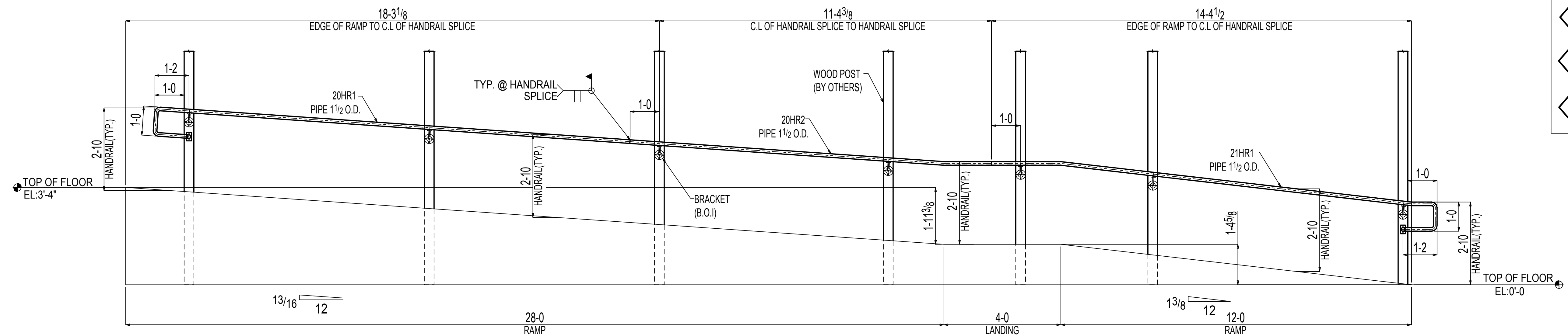


DETAIL-1
ME111



A SECTION VIEW
ME111

- G.C TO CO-ORDINATE FOLLOWING ITEMS**
- ① PLEASE CONFIRM THE MARKED RAMP LENGTH
 - ② PLEASE CONFIRM MARKED SLOPE OF RAMP
 - ③ PLEASE CONFIRM CLOUDED DIMENSIONS



B SECTION VIEW
ME111

TIME: 19:15:15
 PLOT DATE: 16 Oct 2018