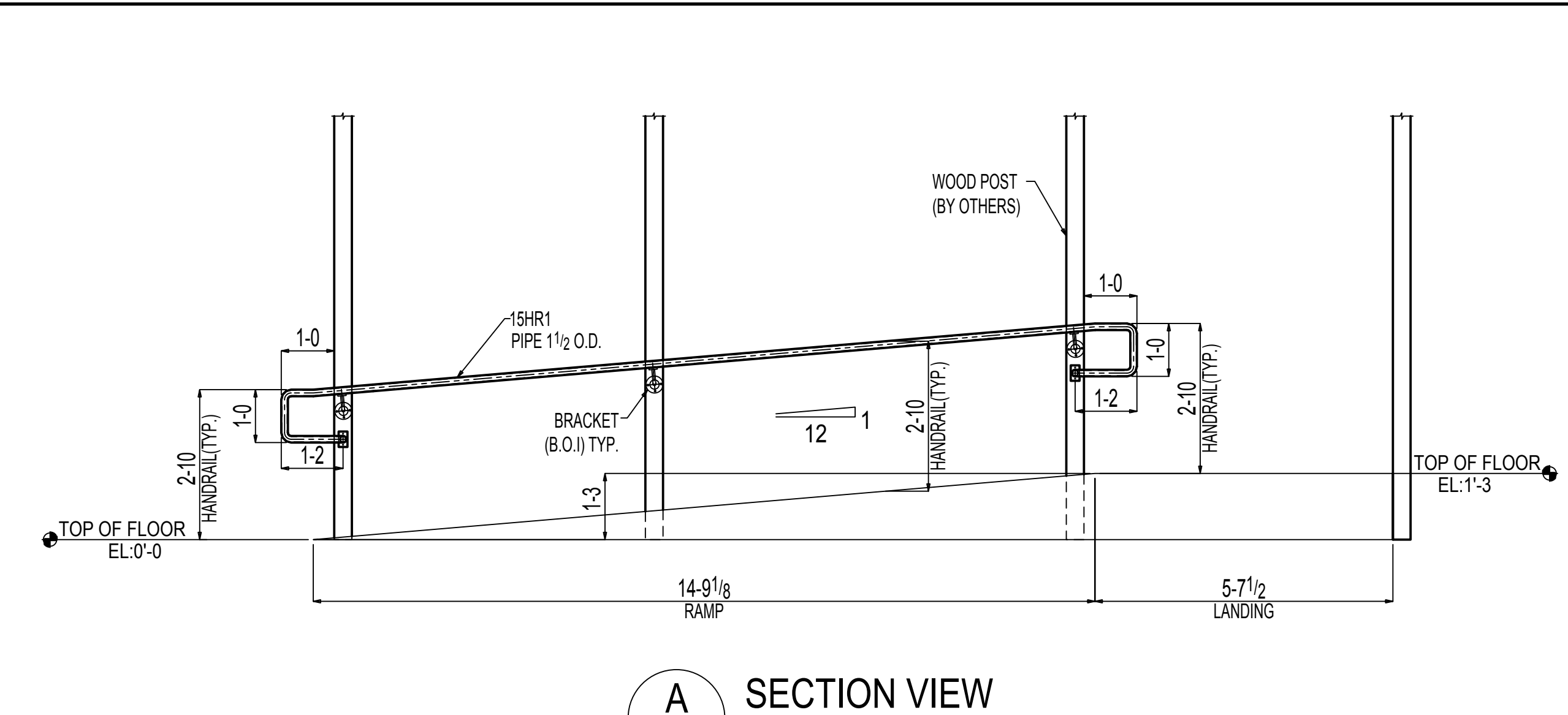
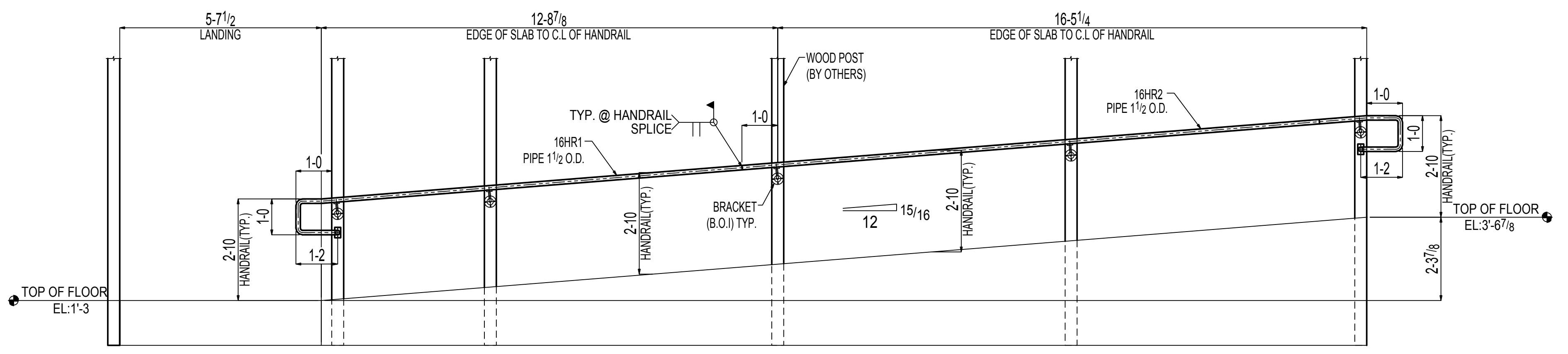


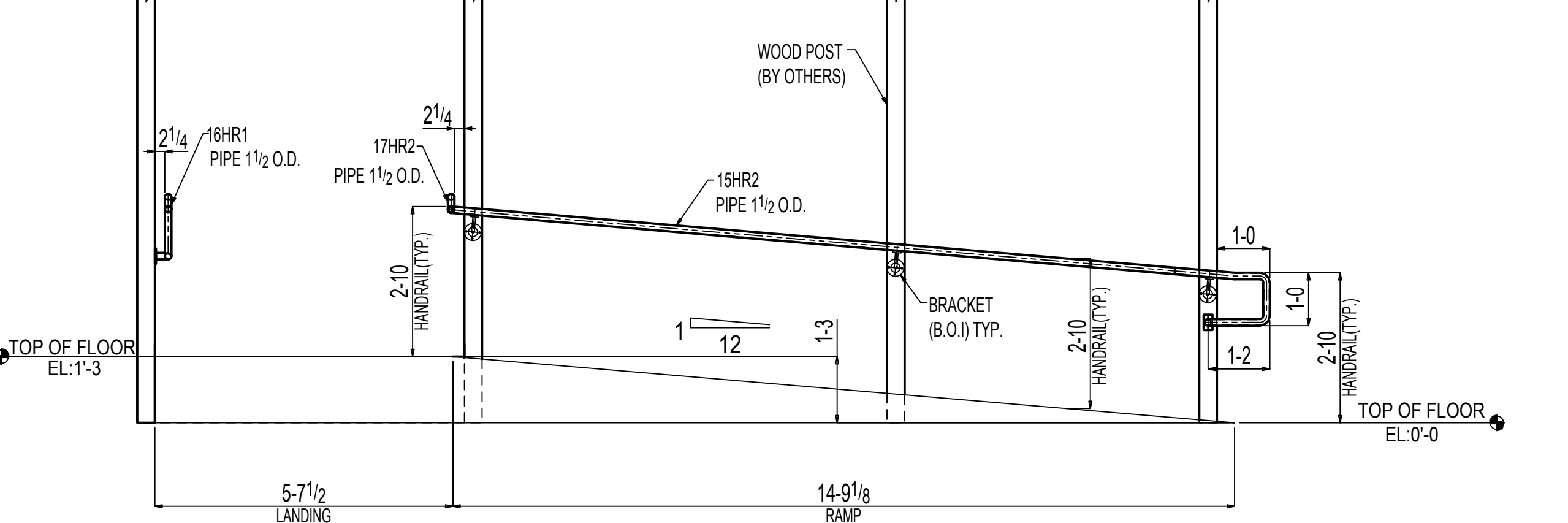
D SECTION VIEW
ME109



A SECTION VIEW
ME109



C SECTION VIEW
ME109



B SECTION VIEW
ME109

- G.C TO CO-ORDINATE FOLLOWING ITEMS
- 1 PLEASE CONFIRM MARKED ELEVATION
 - 2 PLEASE CONFIRM THE MARKED RAMP LENGTH
 - 3 PLEASE CONFIRM MARKED SLOPE OF RAMP