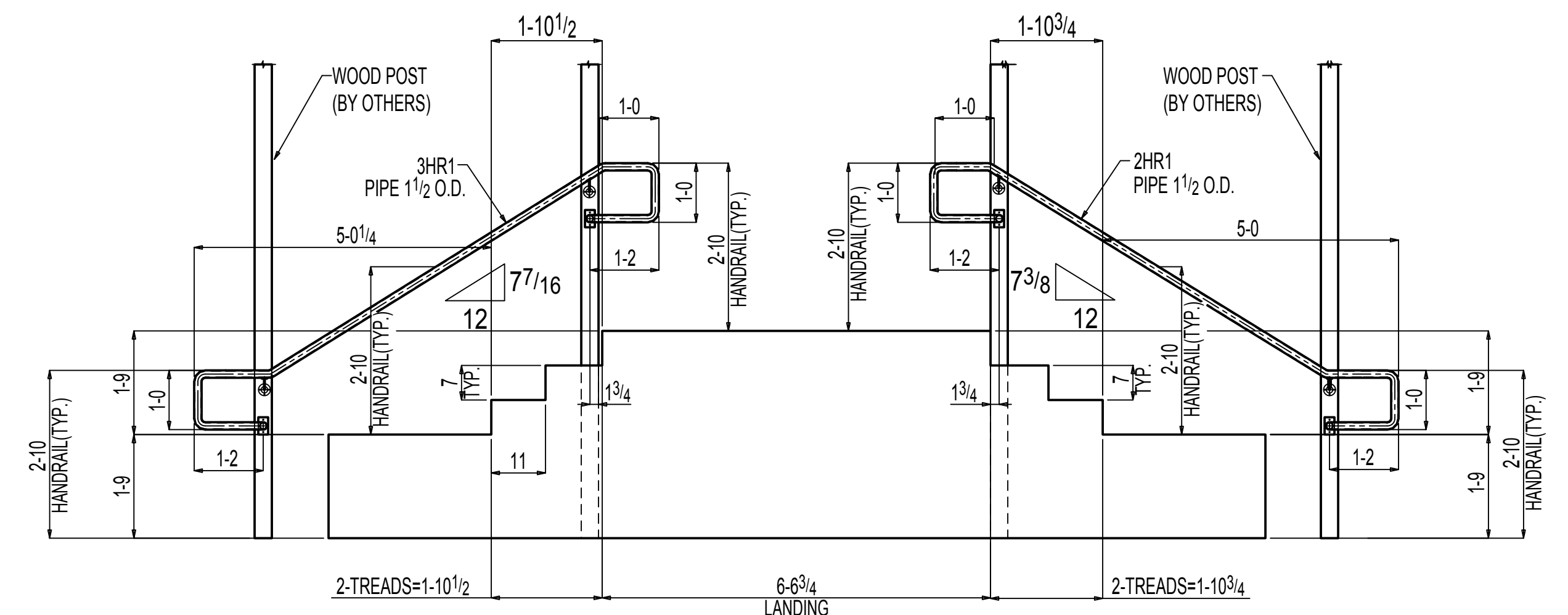
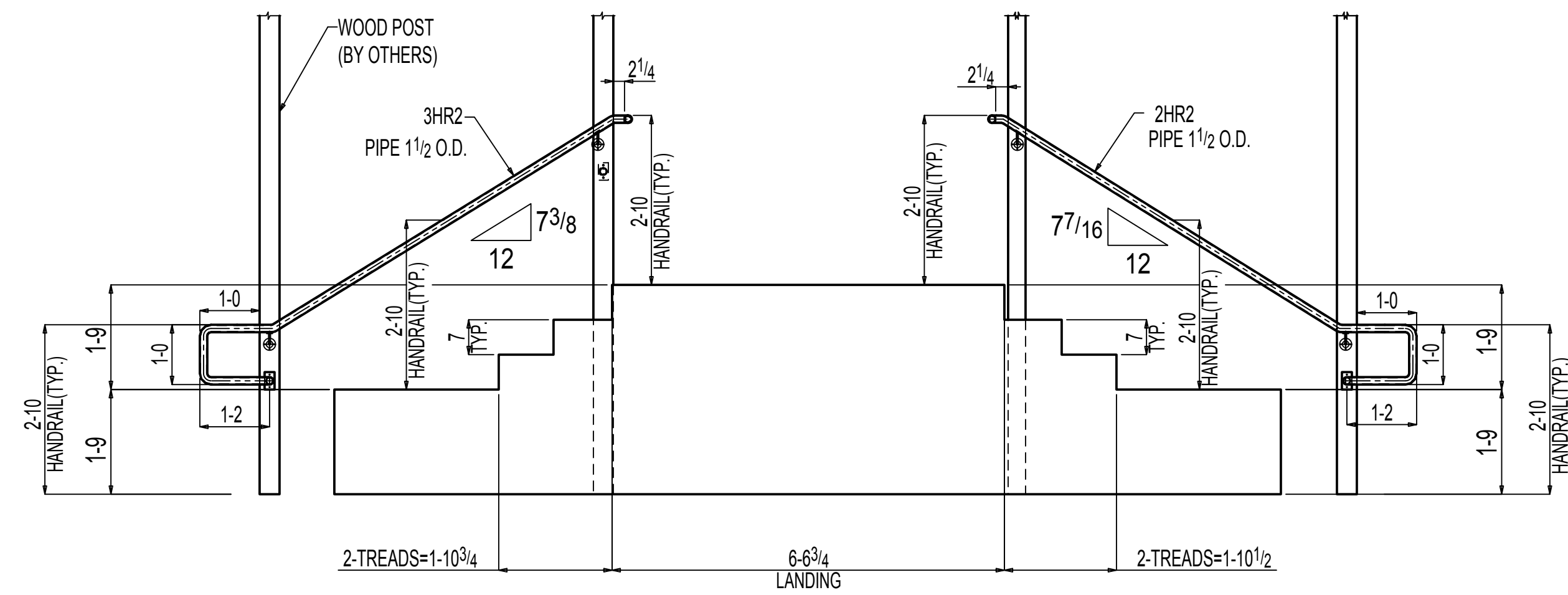


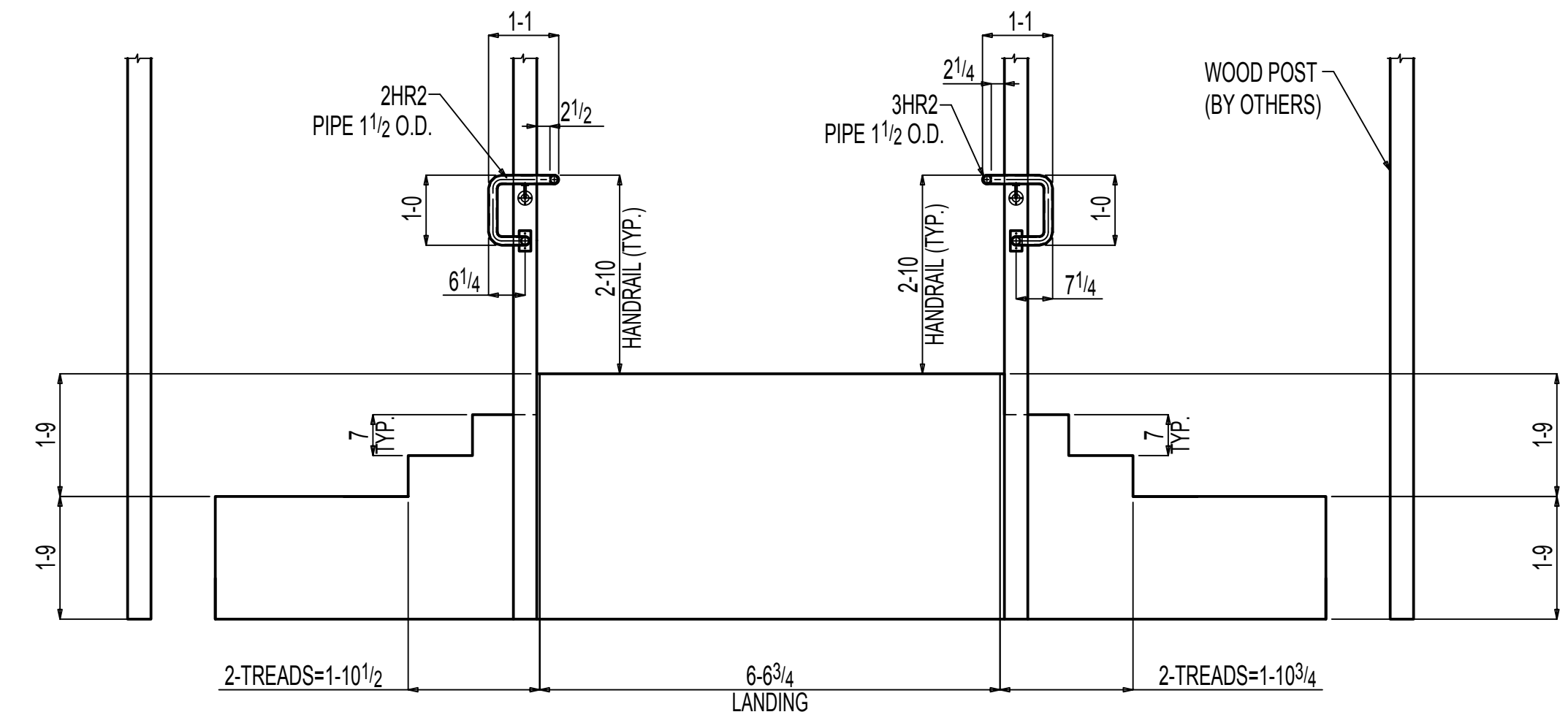
**DETAIL-1**  
ME108  
REF: 1/A2.02



**A SECTION VIEW**  
ME108



**B SECTION VIEW**  
ME108



**C SECTION VIEW**  
ME108

APPROVER VERIFY/FURNISH FOLLOWING ITEMS:

- ① PLEASE CONFIRM TREADS AND RISERS
- ② PLEASE CONFIRM THE SLOPE OF RAIL FIXED
- ③ PLEASE CONFIRM LOCATION OF POST
- ④ PLEASE CONFIRM CLOUDED DIMENSION