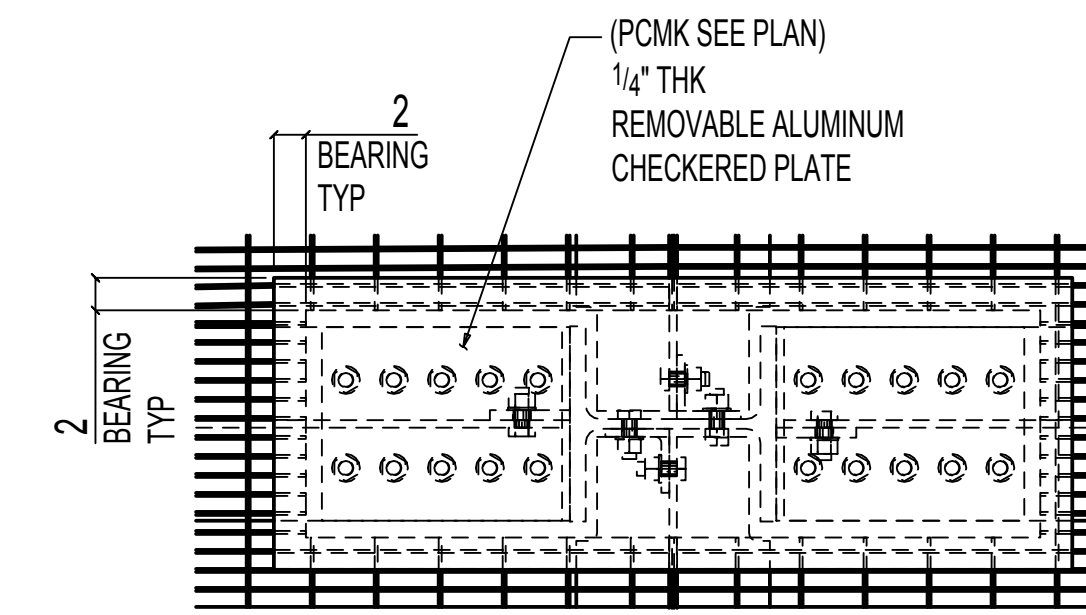
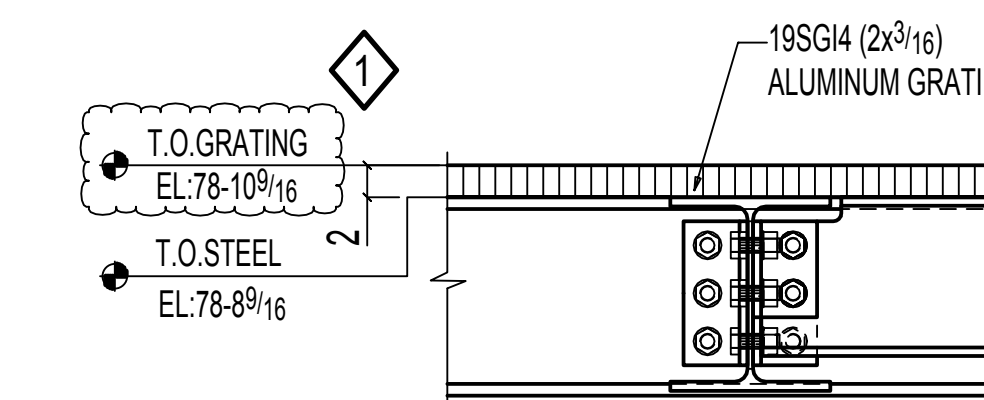
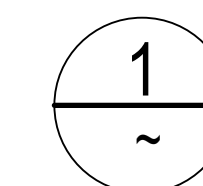


GRATING FRAMING PLAN @ PLATFORM



NOTE:
REMOVABLE CLIPS AS REQ'D
TO ANCHOR CHECKERED PLATE
WITH GRATING, SO THAT
PLATES WILL NOT SLIDE

TYPICAL CHECKERED PLATE
TO GRATING CONNECTION



SECTION

APPROVER VERIFY/FURNISH FOLLOWING ITEMS:
 1 PLEASE CONFIRM ALL CLOUDED DIMESNIONS & ELEVATIONS.

NOTE:
DESIGN DOES NOT SHOWS SIZE OF OPENINGS IN S-763.
WE WILL CUT GRATINGS OVER OPENING ONCE SIZE
OF OPENING FURNISHED.