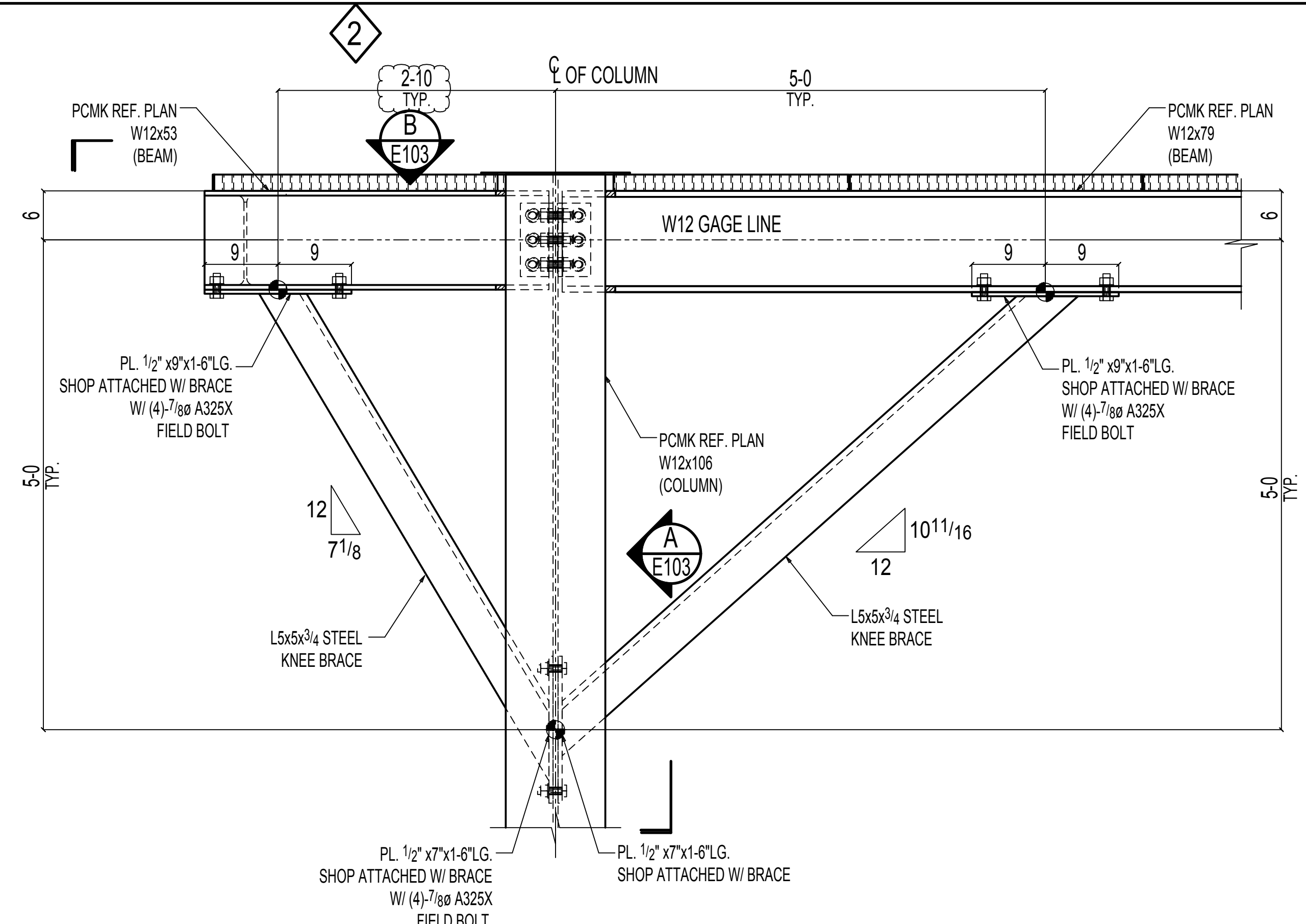
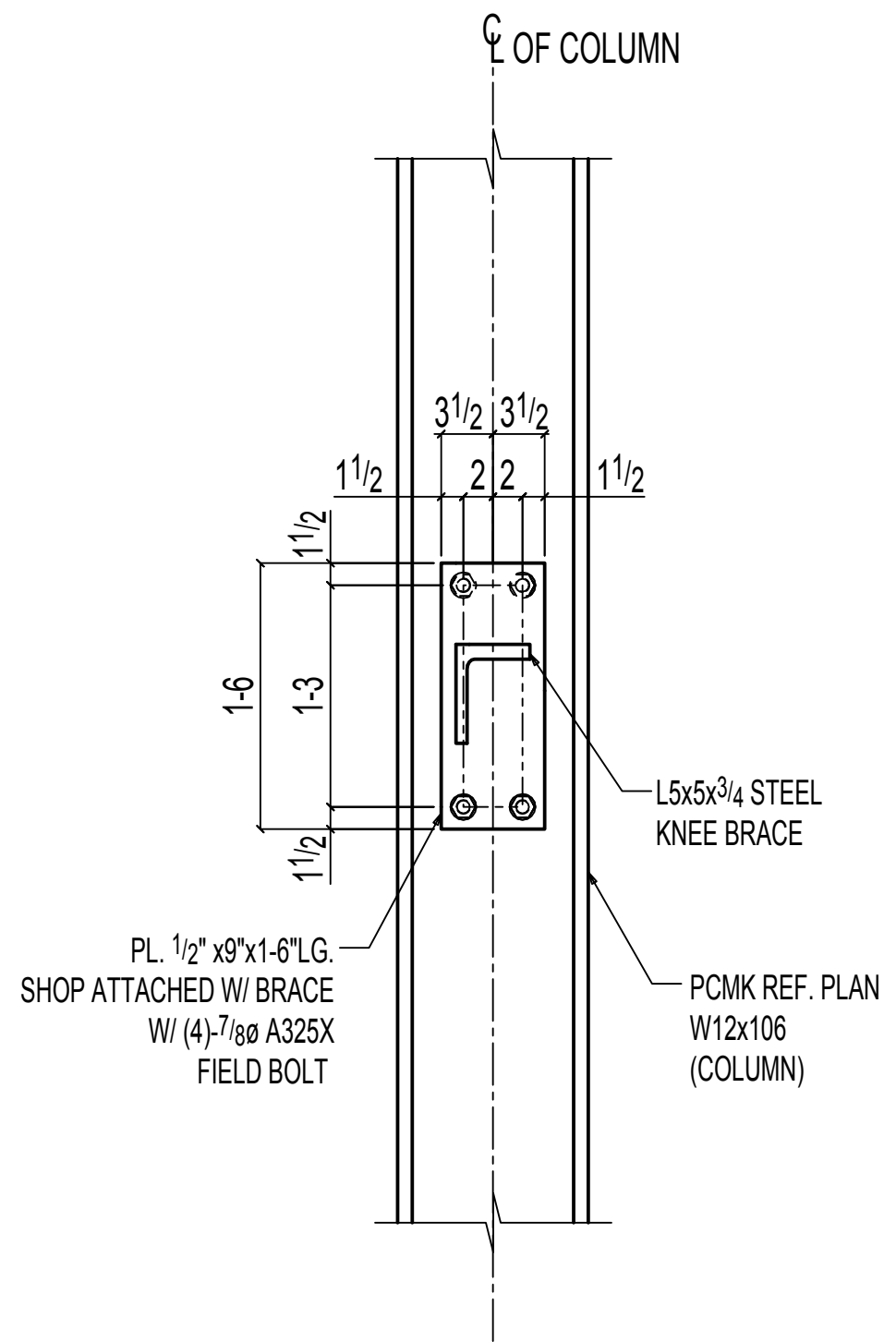


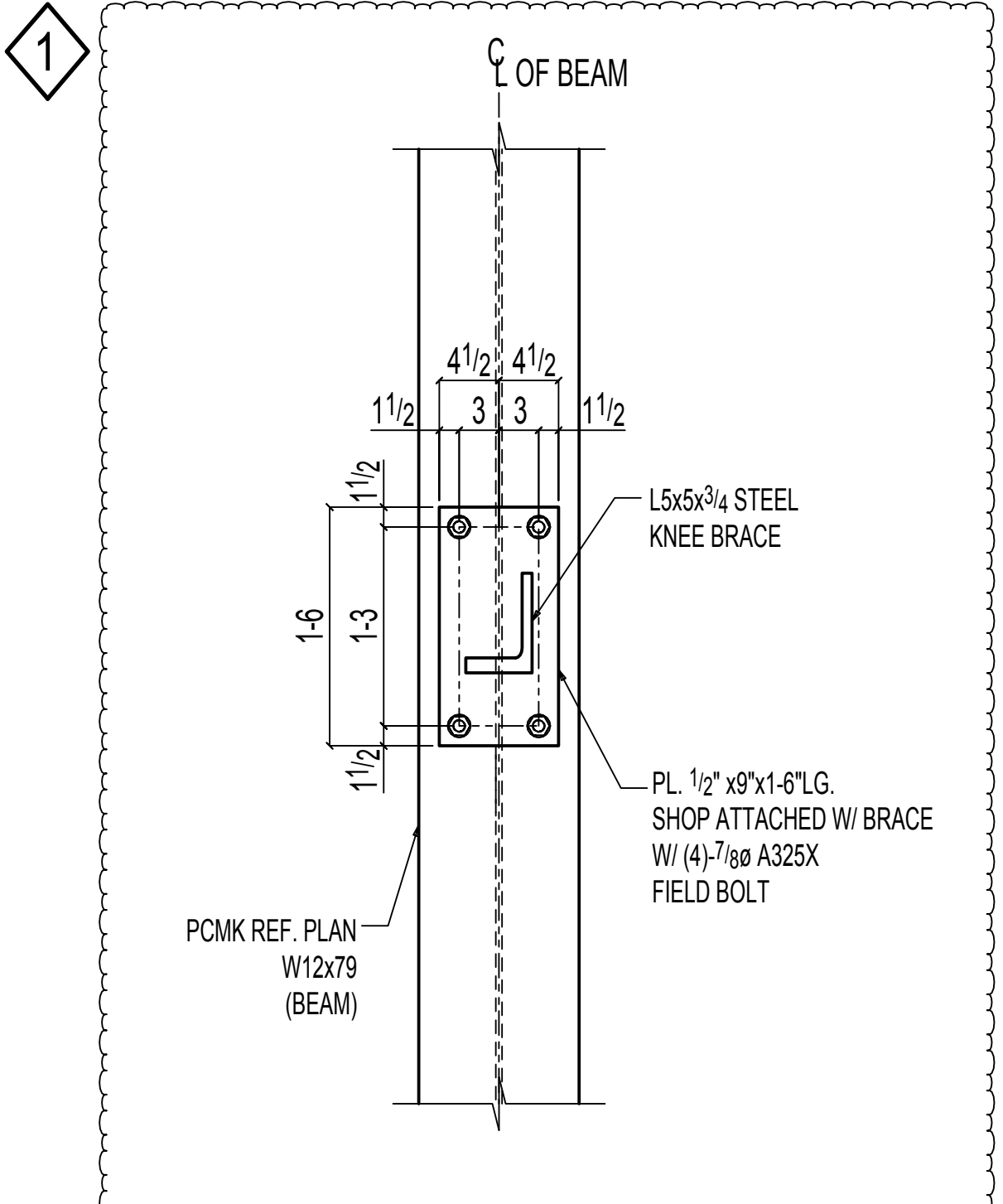
DETAIL-1
 (OTHER ITEMS ARE NOT SHOWN FOR CLARITY)
 REF: E-104



DETAIL-2
 (OTHER ITEMS ARE NOT SHOWN FOR CLARITY)



A SECTION VIEW
 E103 (OTHER ITEMS ARE NOT SHOWN FOR CLARITY)



B SECTION VIEW
 E103 (OTHER ITEMS ARE NOT SHOWN FOR CLARITY)

APPROVER VERIFY/FURNISH FOLLOWING ITEMS:

- 1 BY FOLLOWING PL. 1/2x9x1-6 AND 1 1/2 EDGE DISTANCE AS PROVIDED IN DESIGN, WE COULD NOT PROVIDE HOLES ON BEAM GAGE. PLEASE ADVISE.
- 2 PLEASE CONFIRM CLOUDED DIMENSIONS.
- 3 WE COULD NOT MAINTAIN GAGE LINE FOR L5x5x3/4 KNEE BRACE, AS IT WOULD CLASH WITH BOLTS AT PLATE.