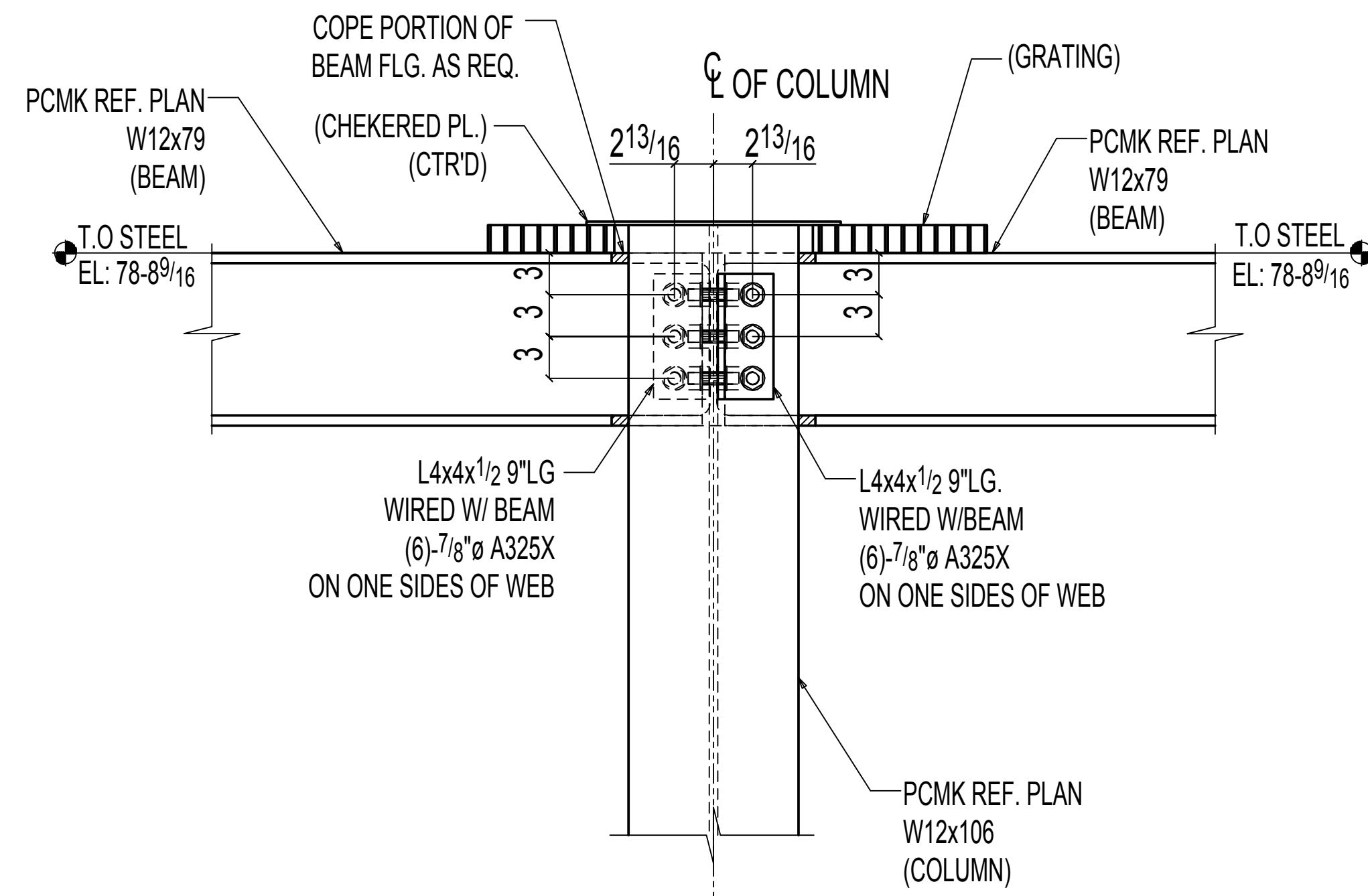
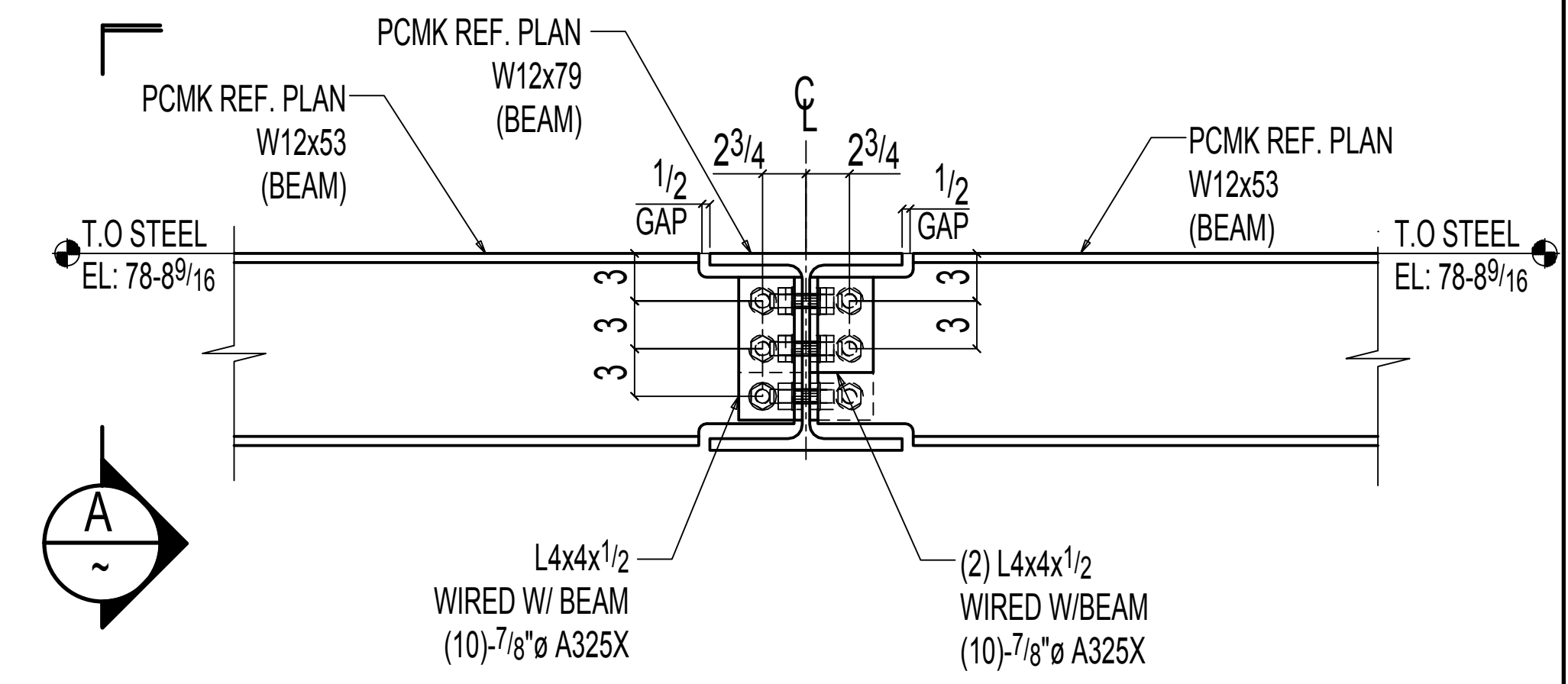


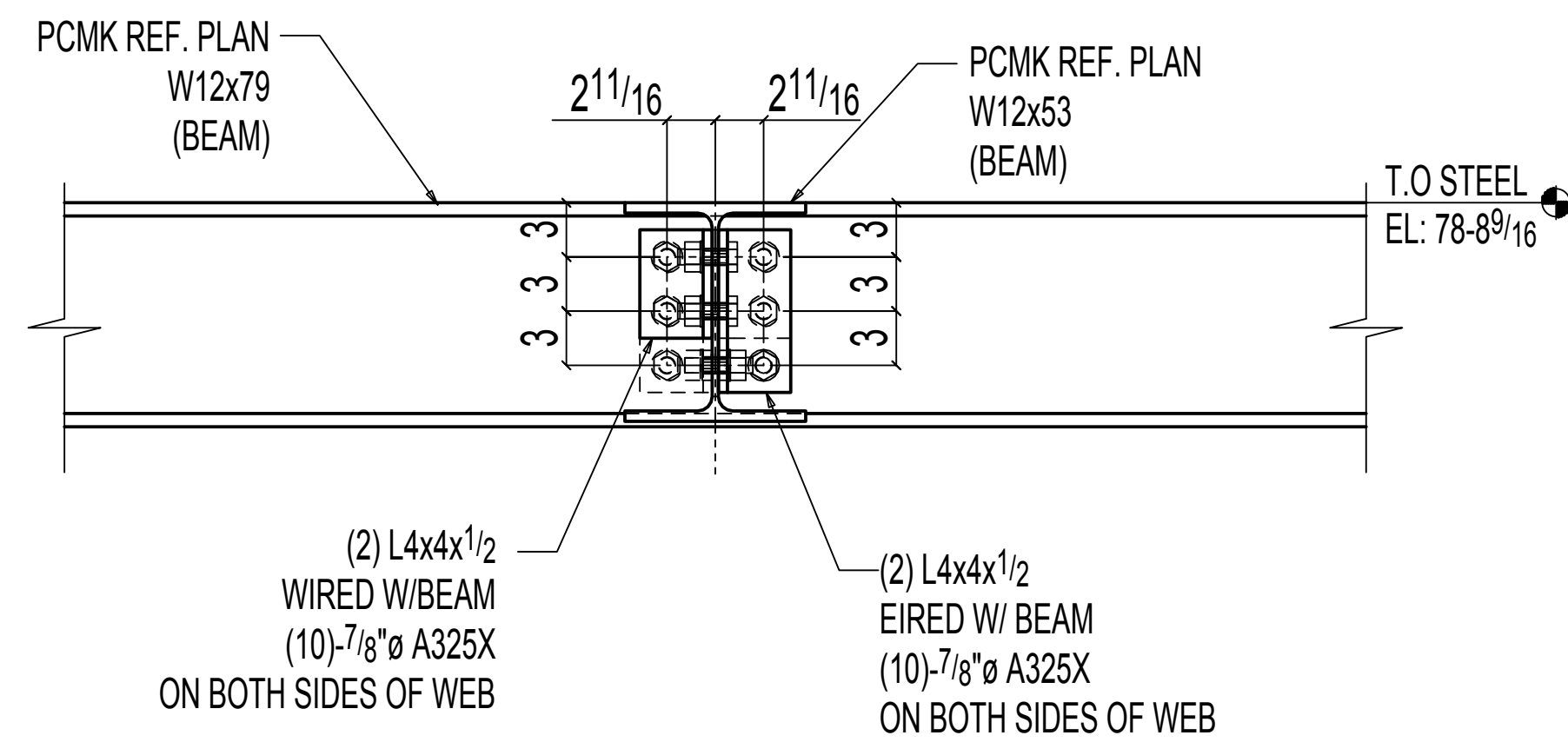
1 TYPICAL MOMENT CONNECTION FOR BEAM TO COLUMN CONNECTION (OTHER ITEMS ARE NOT SHOWN FOR CLARITY)



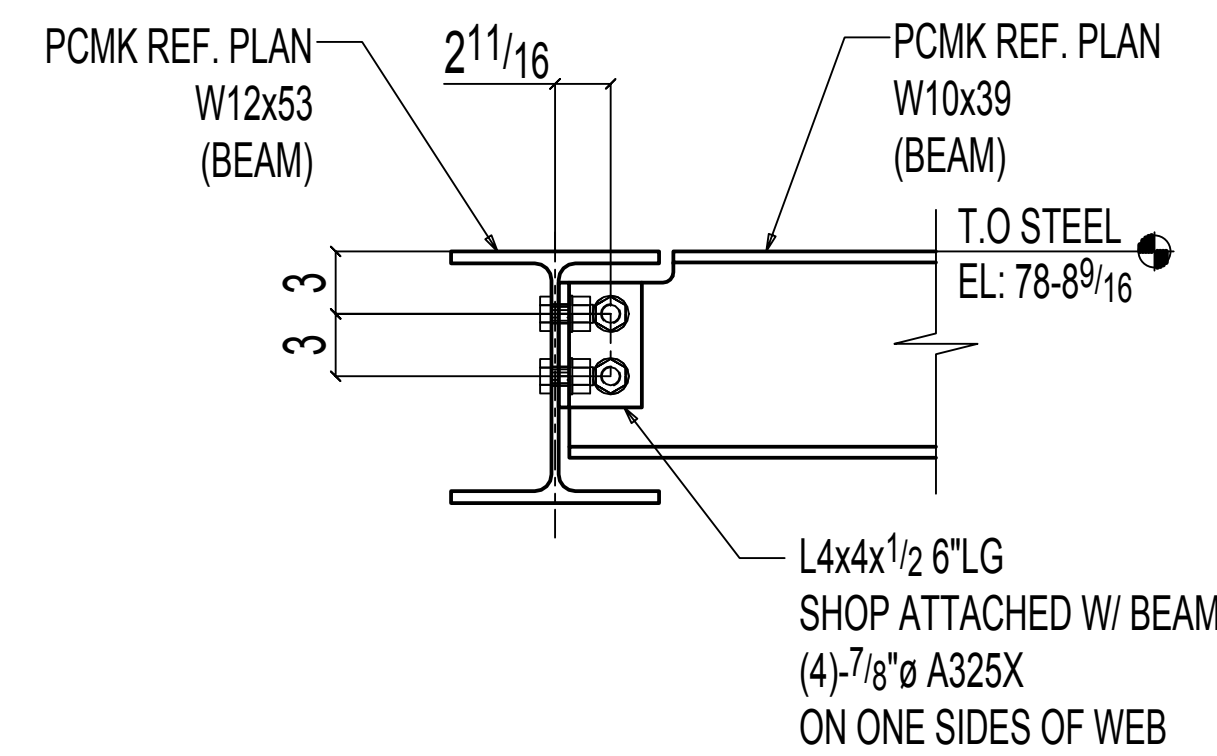
2 TYPICAL CONNECTION DETAIL FOR BEAM FRAMES INTO COLUMN CONNECTION (OTHER ITEMS ARE NOT SHOWN FOR CLARITY)



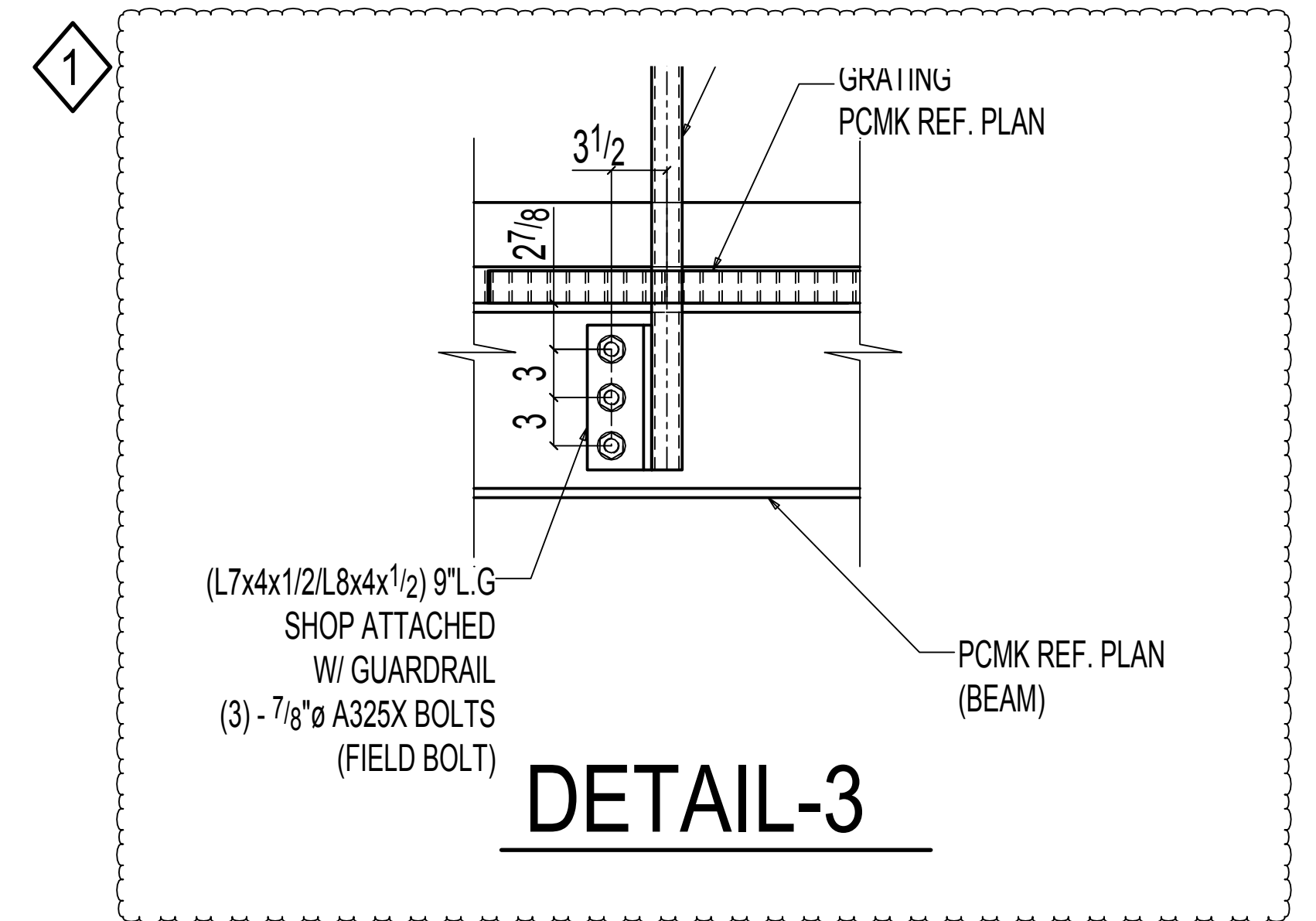
3 TYPICAL BEAM TO BEAM CONNECTION
E102



A SECTION VIEW



1 SECTION VIEW
E102



DETAIL-3

APPROVER VERIFY/FURNISH FOLLOWING ITEMS:

- 1** PLEASE CONFIRM GUARDRAIL TO BEAM CONNECTION ARRANGEMENT.