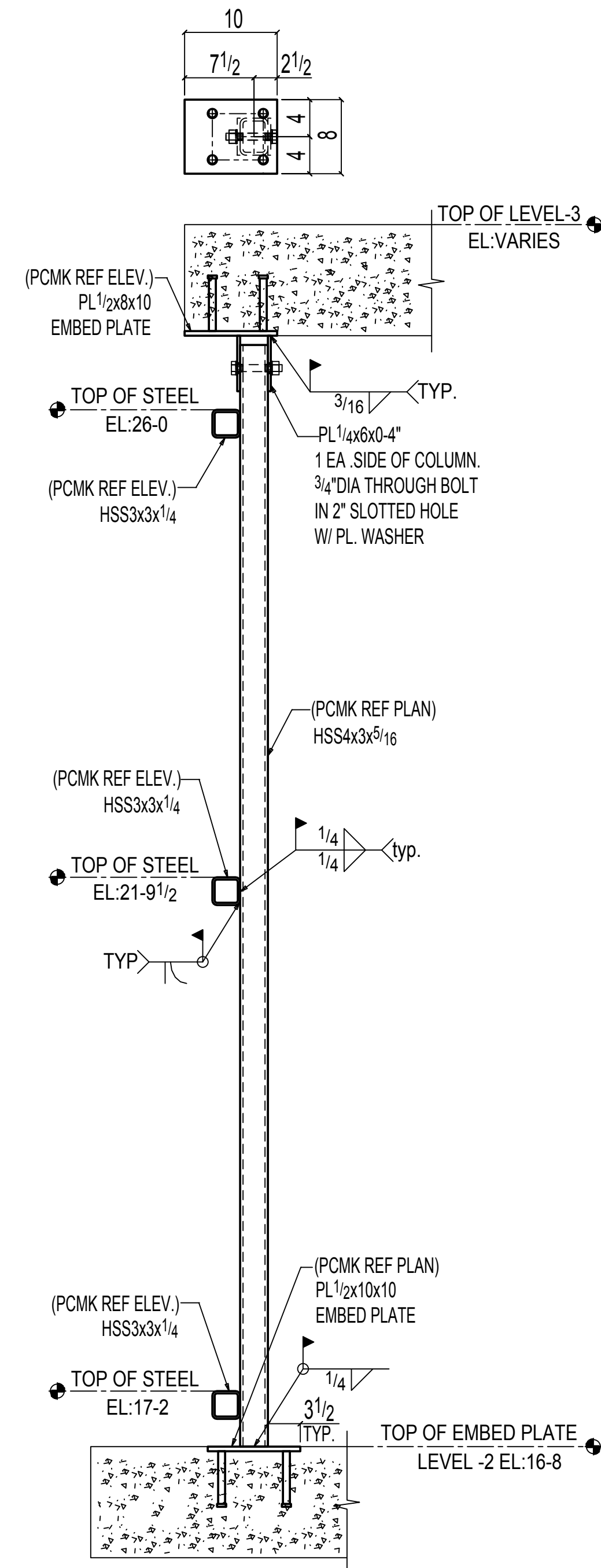
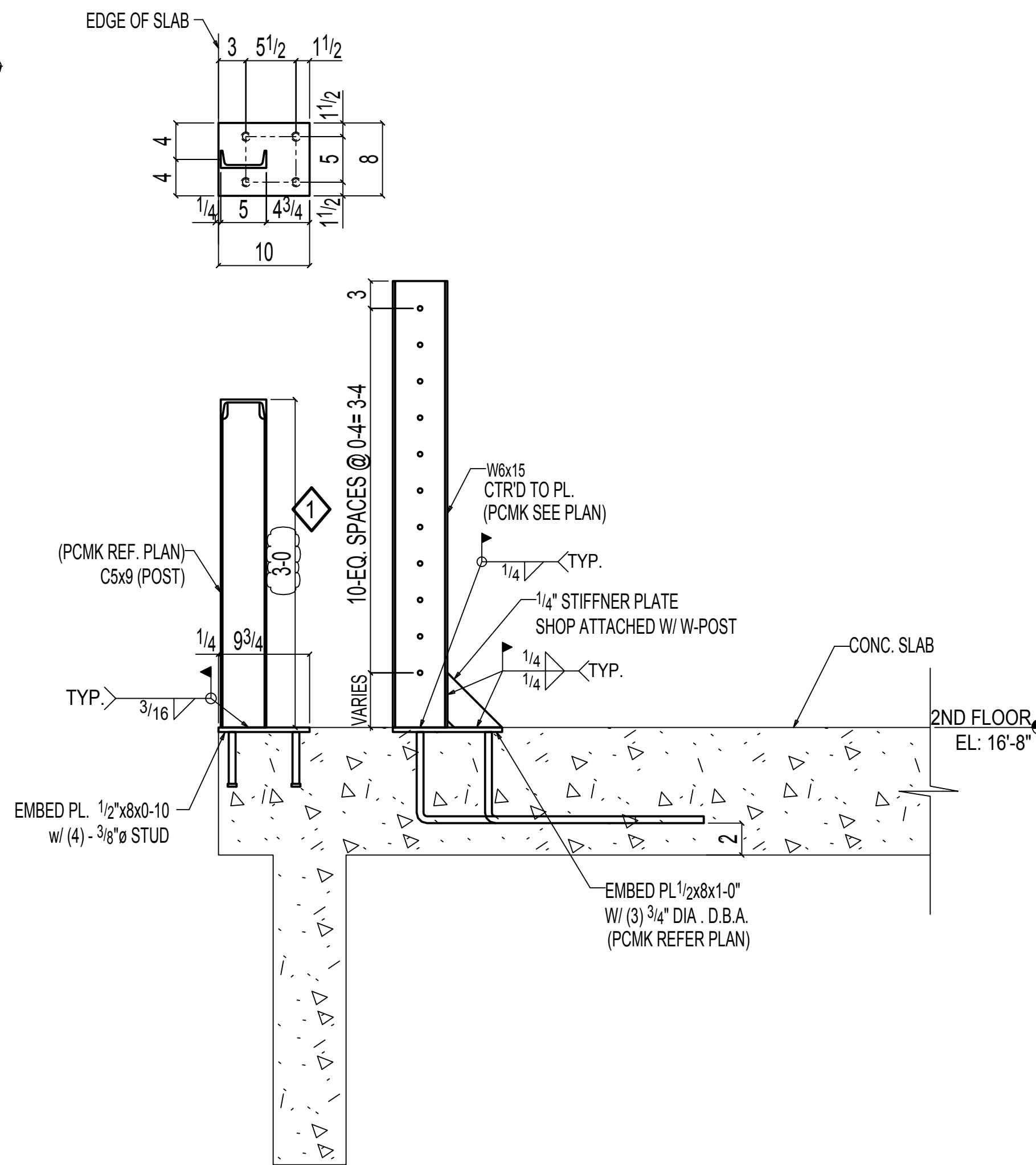


PARTIAL EMBED PLAN @ LEVEL-2

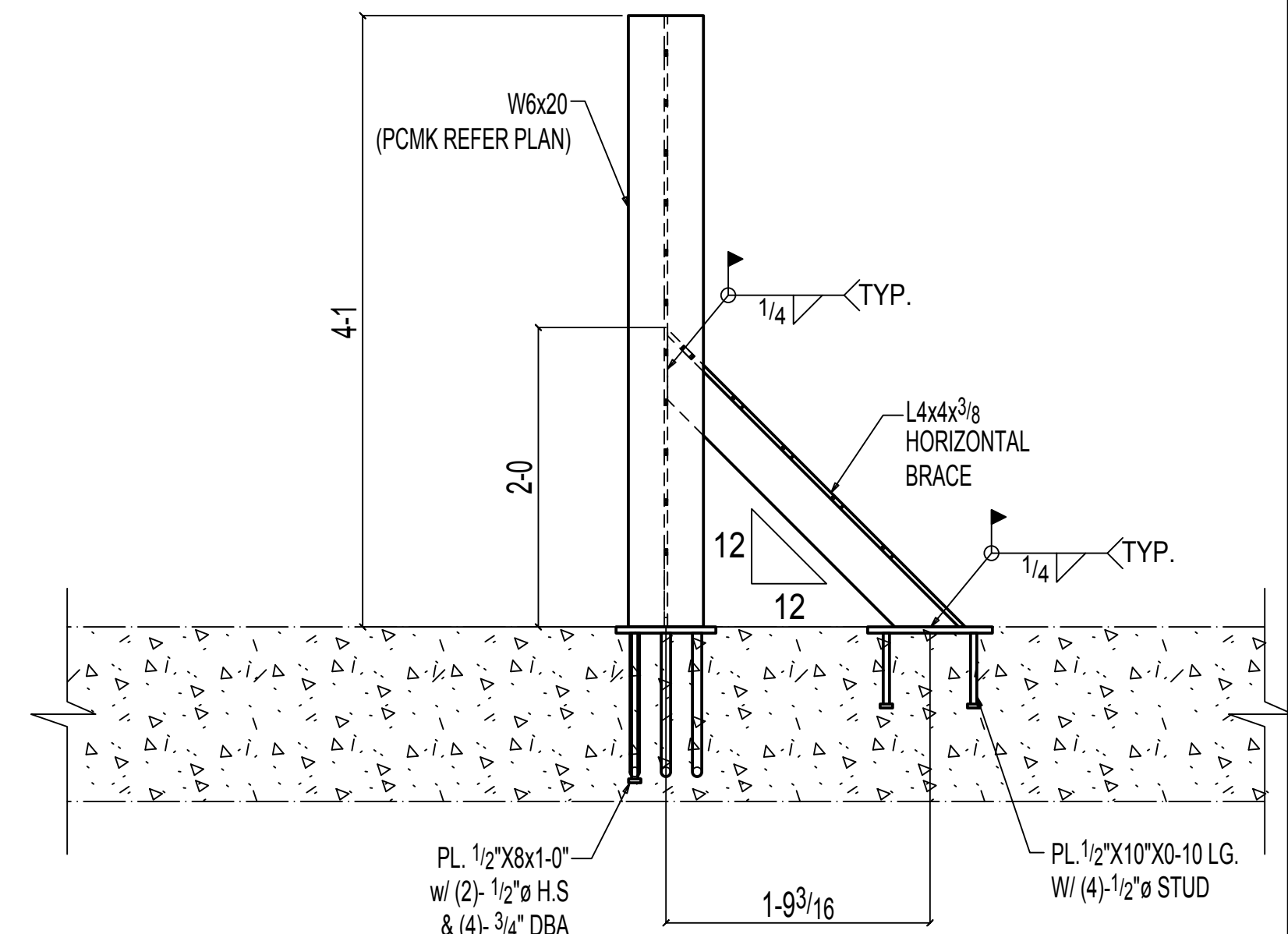
TOP OF EMBED ELEVATION: 16-8 (UN)
REF: 1/S2.404 & S2.102



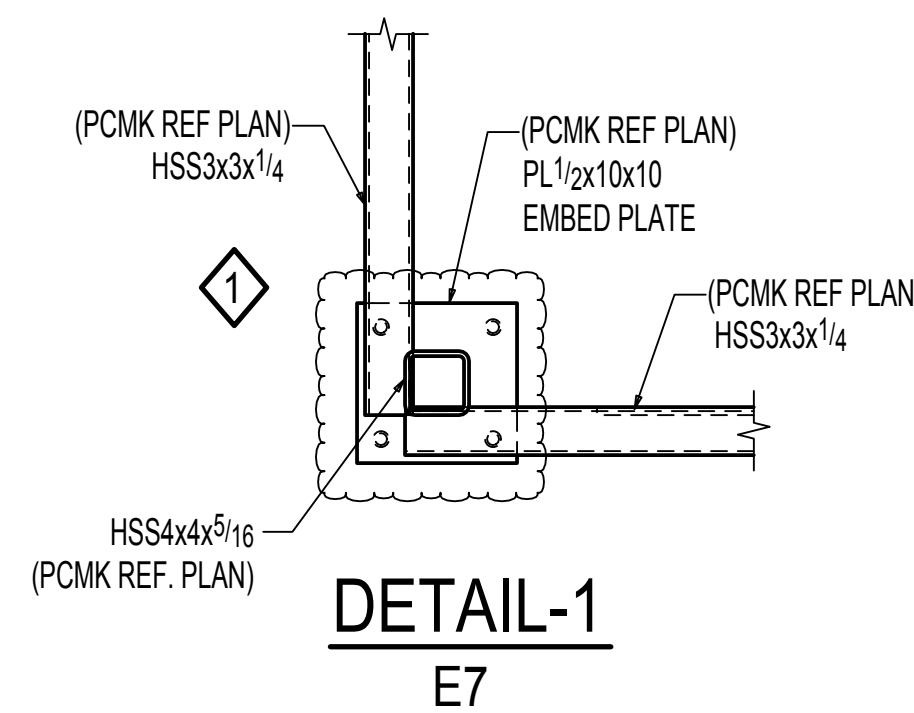
A SECTION VIEW
E7 (REF DWG NO: 1/S4.121)
(TYP. AT ALL POST)



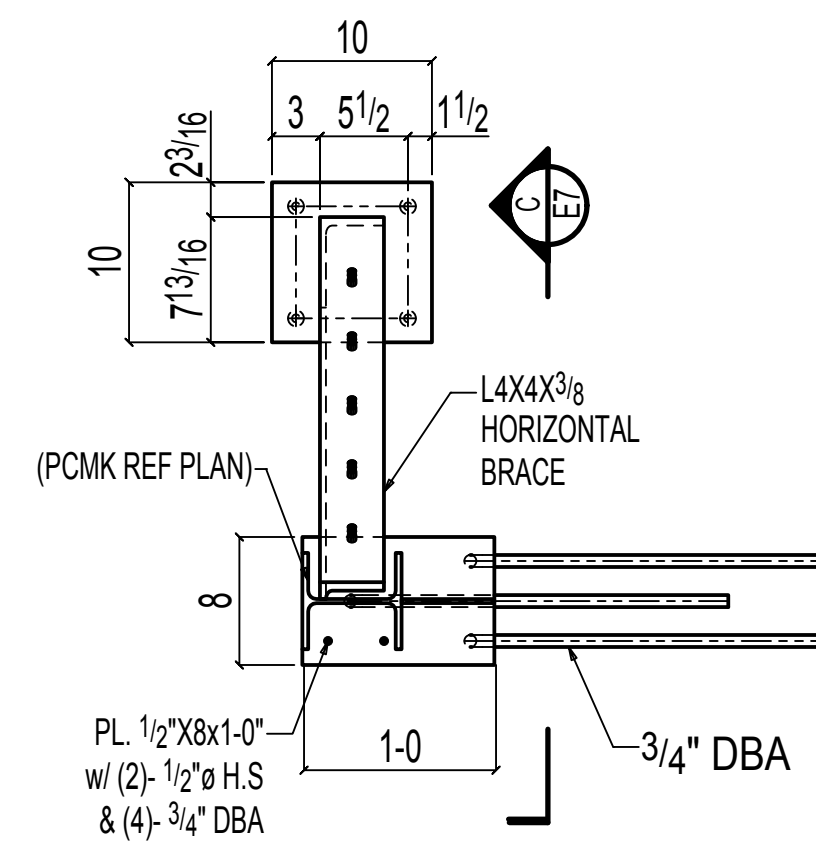
B SECTION VIEW
E7 (REF DWG NO: 1/S4.120 & 1/A4.107)



C SECTION VIEW
E7 (REF DWG NO: 1/S0.111)



DETAIL-1
E7



DETAIL-1
E7

APPROVER VERIFY/FURNISH FOLLOWING ITEMS:

- 1 PLEASE CONFIRM CLOUDED HEIGHT FOR WINDOW SUPPORT.
- 2 AT TWO CORNERS DUE TO POST PROFILE HSS4X4X5/16 INSTEAD OF HSS 4X3X5/16, THE BEAM HSS3X3X1/4 CLASHES WITH POST. PLEASE ADVICE