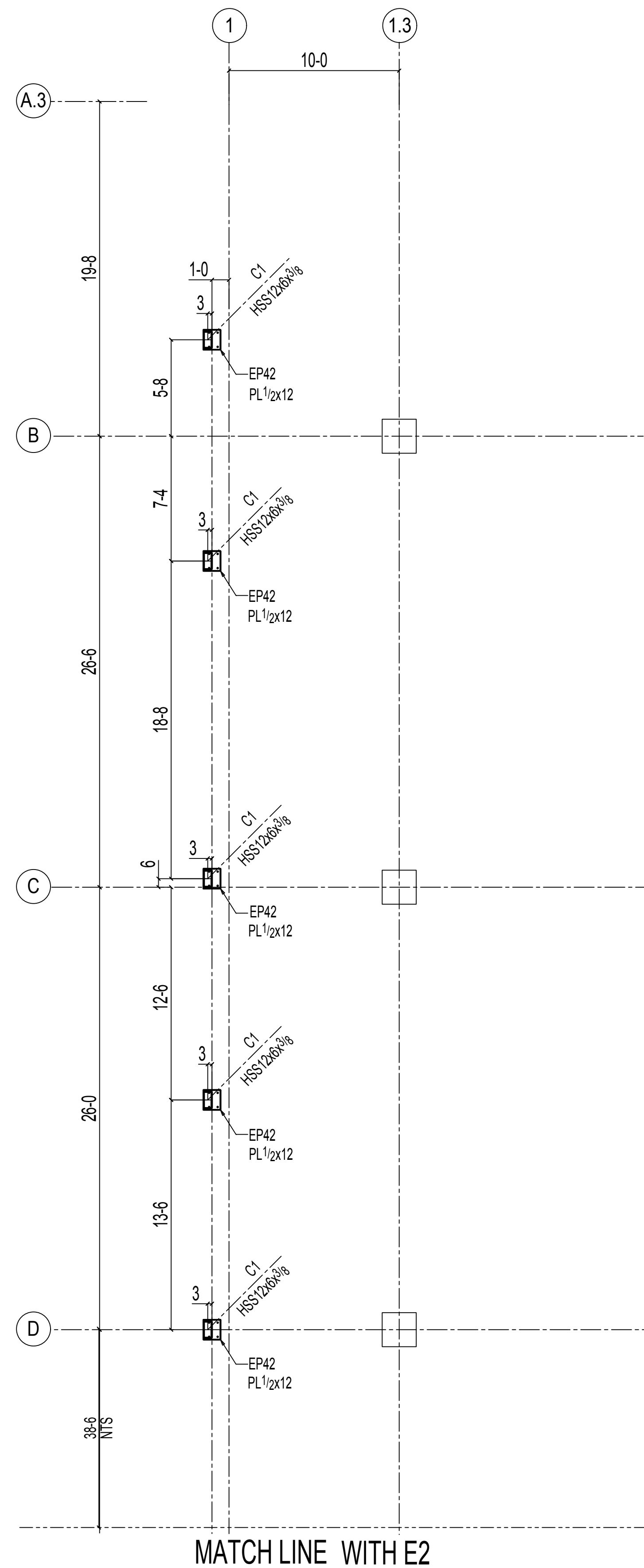


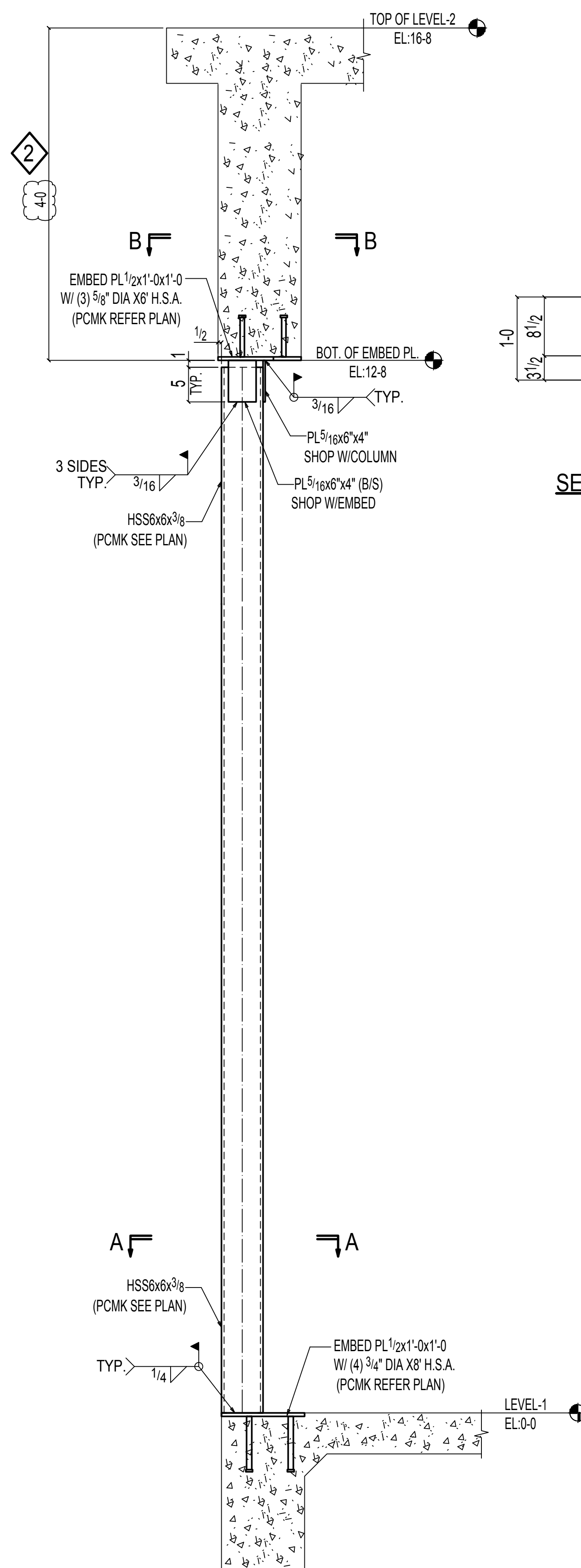
PLOT DATE: 29 Sep 2018 TIME: 19:08:49



MATCH LINE WITH E2

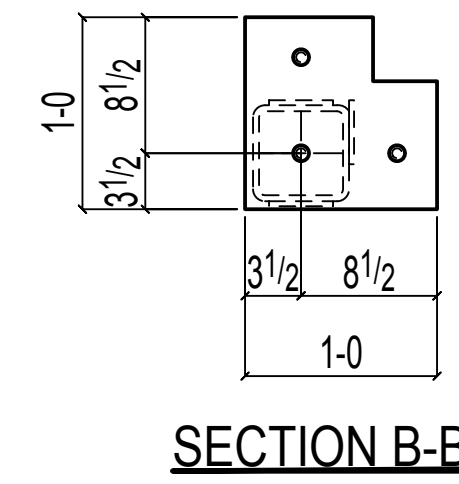
PARTIAL EMBED SETTING PLAN & POST PLAN @ LEVEL-1

TOP OF EMBED ELEVATION: 0-0 (UN)
REF: 1/S1.101

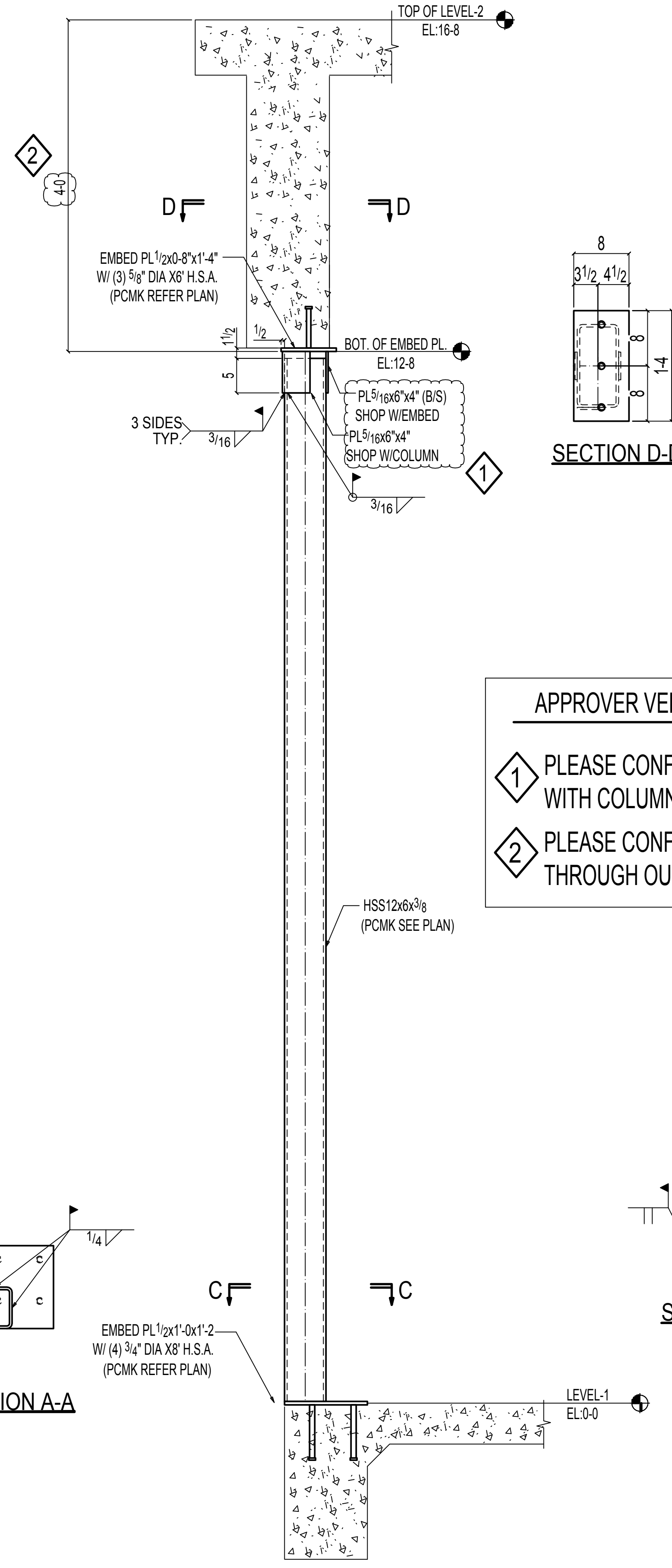


SECTION VIEW @ CORNER COLUMN

(REF: 4/S3.111 & 6/S4.107)

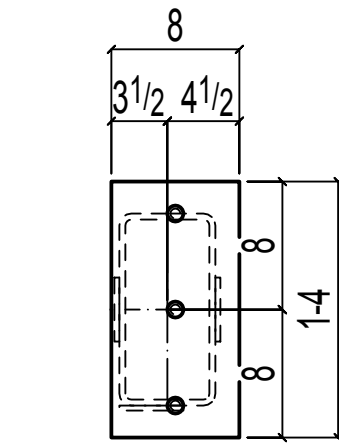


SECTION B-B



SECTION VIEW @ INTERMEDIATE COLUMN

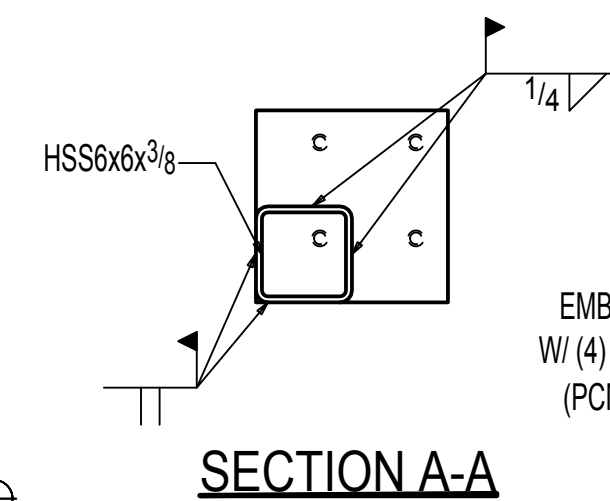
(REF: 4/S4.3111 & 6/S4.107)



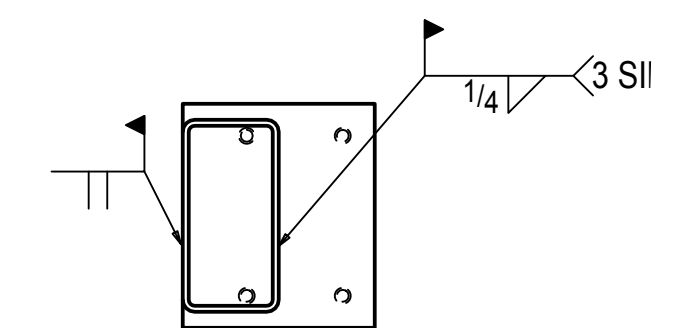
SECTION D-D

APPROVER VERIFY/FURNISH FOLLOWING ITEMS:

- 1 PLEASE CONFIRM CLOUDED PROFILE SIZE & ATTACHMENT WITH COLUMN.
- 2 PLEASE CONFIRM CLOUDED DIMENSION 4-0 TO BE FOLLOWED THROUGH OUT THE BUILDING BELOW LEVEL-2.



SECTION A-A



SECTION C-C